

# Accepted Manuscript

Consequence analysis of derivative accidents due to reaction runaway

Long-fei Liu, Lei Ni, Jun-cheng Jiang, Ahmed Mebarki, Wen-xing Zhang

PII: S0950-4230(18)30419-4

DOI: [10.1016/j.jlp.2018.07.017](https://doi.org/10.1016/j.jlp.2018.07.017)

Reference: JLPP 3744

To appear in: *Journal of Loss Prevention in the Process Industries*

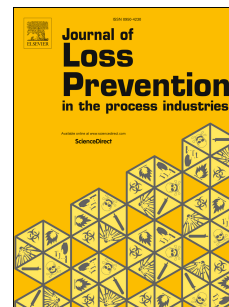
Received Date: 2 May 2018

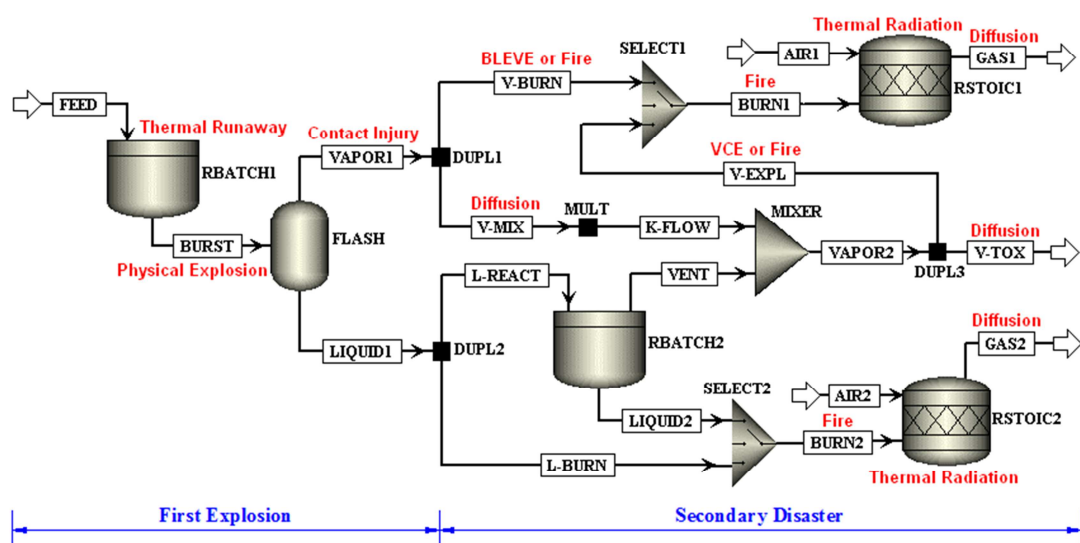
Revised Date: 25 July 2018

Accepted Date: 25 July 2018

Please cite this article as: Liu, L.-f., Ni, L., Jiang, J.-c., Mebarki, A., Zhang, W.-x., Consequence analysis of derivative accidents due to reaction runaway, *Journal of Loss Prevention in the Process Industries* (2018), doi: 10.1016/j.jlp.2018.07.017.

This is a PDF file of an unedited manuscript that has been accepted for publication. As a service to our customers we are providing this early version of the manuscript. The manuscript will undergo copyediting, typesetting, and review of the resulting proof before it is published in its final form. Please note that during the production process errors may be discovered which could affect the content, and all legal disclaimers that apply to the journal pertain.





ACCEPTED MANUSCRIPT

Download English Version:

<https://daneshyari.com/en/article/6972842>

Download Persian Version:

<https://daneshyari.com/article/6972842>

[Daneshyari.com](https://daneshyari.com)