

Accepted Manuscript

The Mechanisms of Ductile Rupture

Philip J. Noell, Jay D. Carroll, Brad L. Boyce

PII: S1359-6454(18)30700-6

DOI: [10.1016/j.actamat.2018.09.006](https://doi.org/10.1016/j.actamat.2018.09.006)

Reference: AM 14815

To appear in: *Acta Materialia*

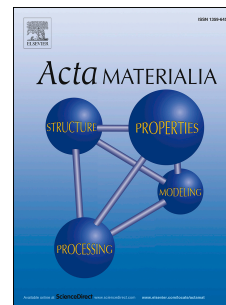
Received Date: 24 May 2018

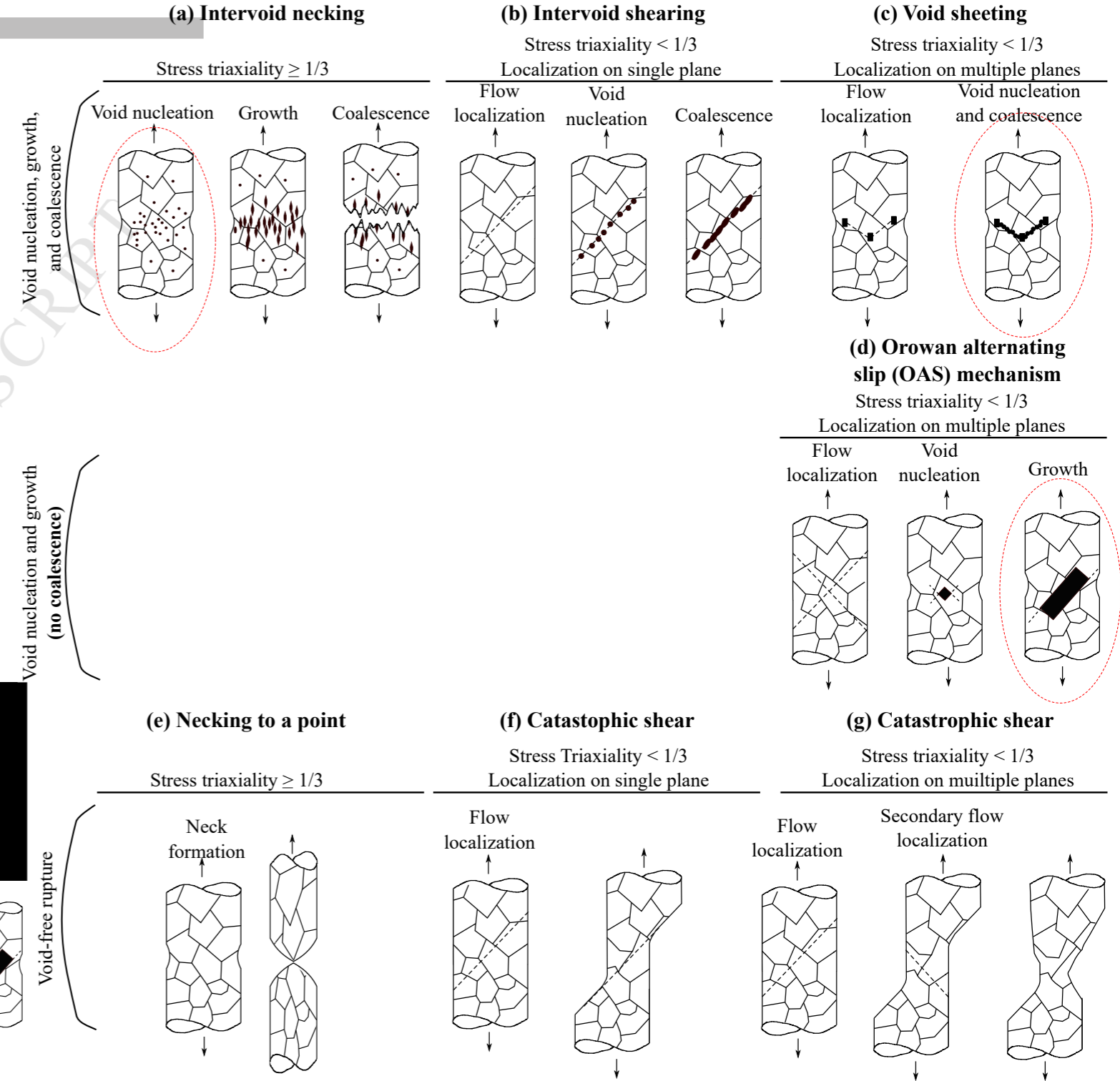
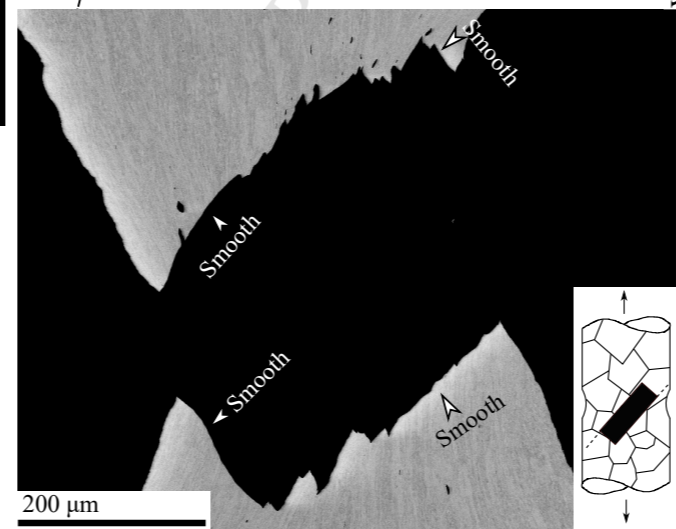
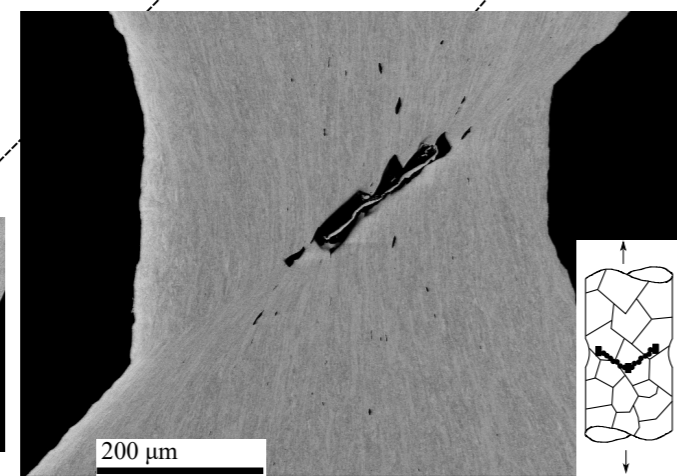
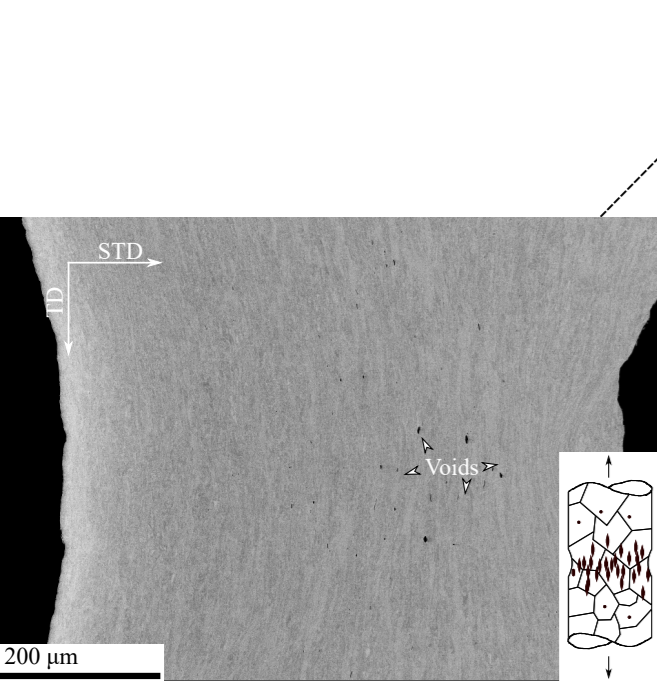
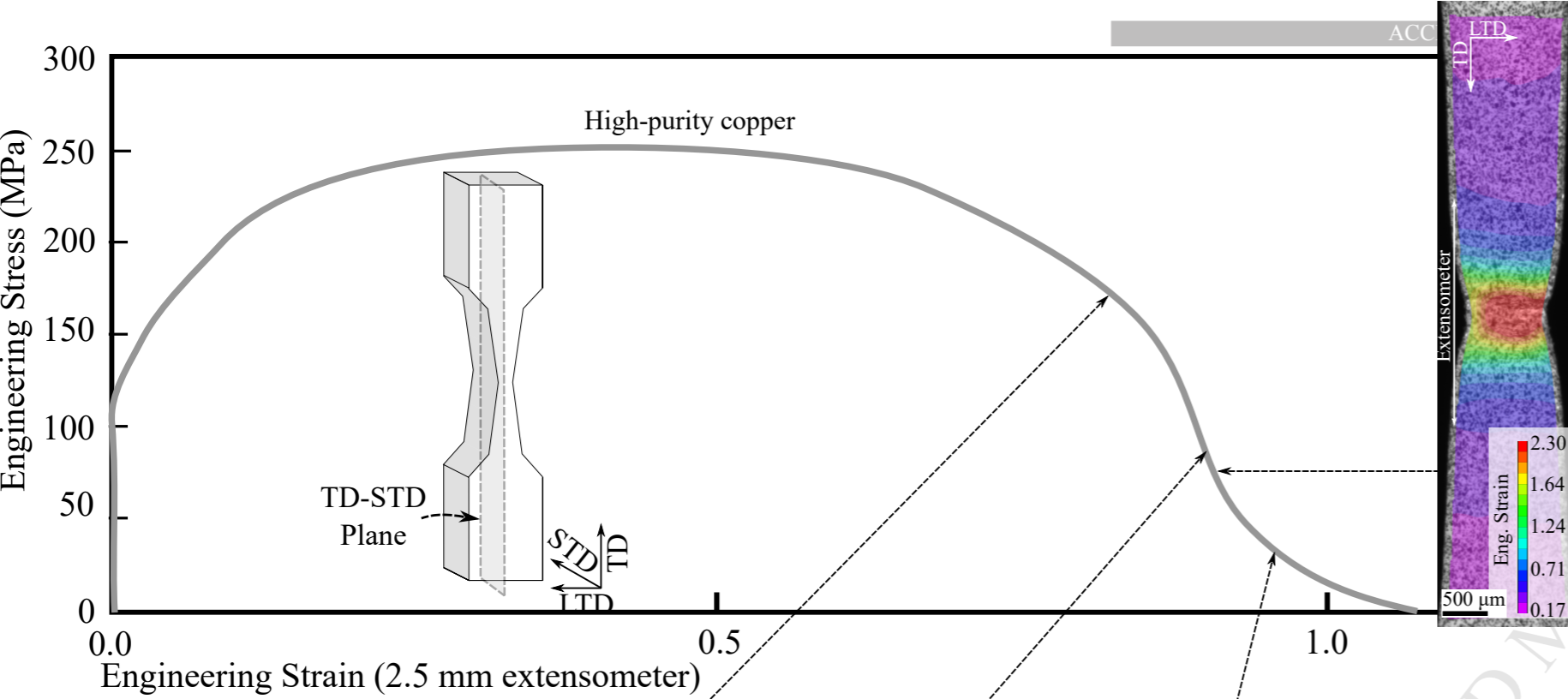
Revised Date: 30 August 2018

Accepted Date: 3 September 2018

Please cite this article as: P.J. Noell, J.D. Carroll, B.L. Boyce, The Mechanisms of Ductile Rupture, *Acta Materialia* (2018), doi: 10.1016/j.actamat.2018.09.006.

This is a PDF file of an unedited manuscript that has been accepted for publication. As a service to our customers we are providing this early version of the manuscript. The manuscript will undergo copyediting, typesetting, and review of the resulting proof before it is published in its final form. Please note that during the production process errors may be discovered which could affect the content, and all legal disclaimers that apply to the journal pertain.





Download English Version:

<https://daneshyari.com/en/article/10155331>

Download Persian Version:

<https://daneshyari.com/article/10155331>

[Daneshyari.com](https://daneshyari.com)