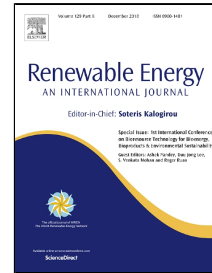


Accepted Manuscript

Optimized design of a Linear Fresnel Reflector for solar process heat applications

Diego Pulido-Iparraguirre, Loreto Valenzuela, Juan-José Serrano-Aguilera,
Aránzazu Fernández-García



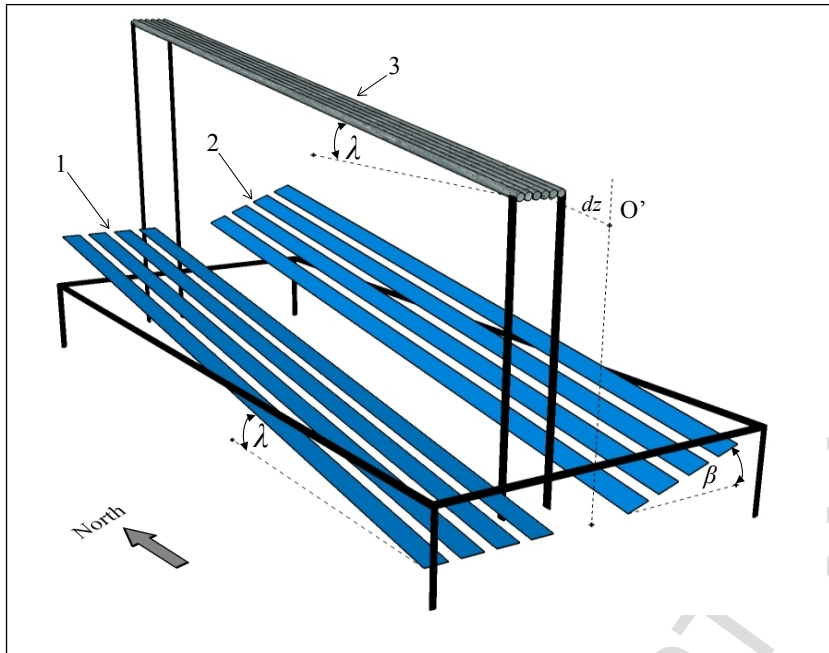
PII: S0960-1481(18)30968-6
DOI: 10.1016/j.renene.2018.08.018
Reference: RENE 10445
To appear in: *Renewable Energy*
Received Date: 10 May 2018
Accepted Date: 06 August 2018

Please cite this article as: Diego Pulido-Iparraguirre, Loreto Valenzuela, Juan-José Serrano-Aguilera, Aránzazu Fernández-García, Optimized design of a Linear Fresnel Reflector for solar process heat applications, *Renewable Energy* (2018), doi: 10.1016/j.renene.2018.08.018

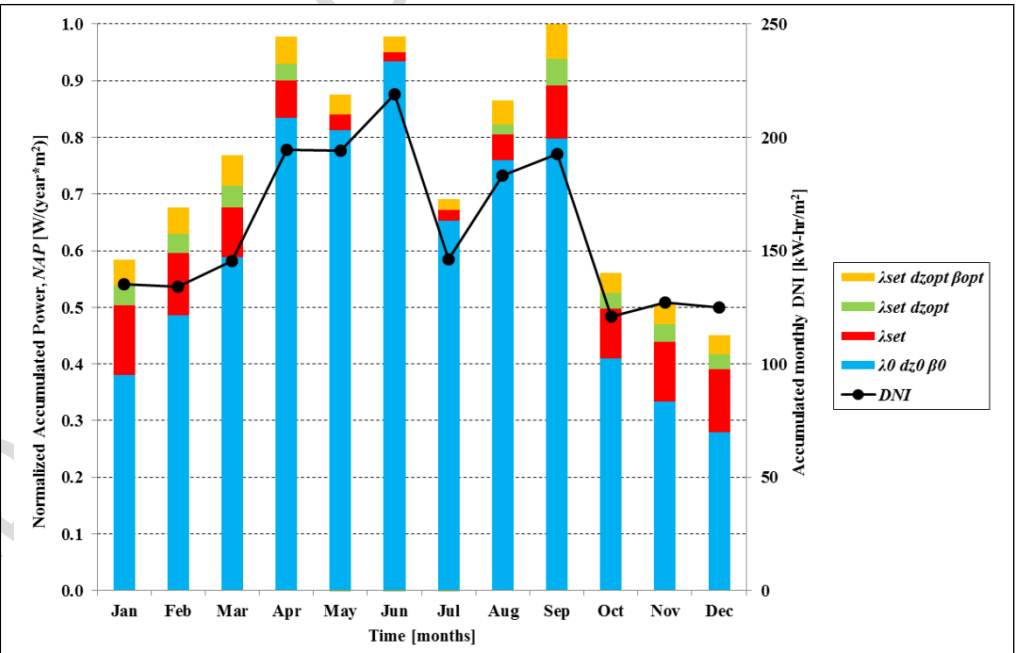
This is a PDF file of an unedited manuscript that has been accepted for publication. As a service to our customers we are providing this early version of the manuscript. The manuscript will undergo copyediting, typesetting, and review of the resulting proof before it is published in its final form. Please note that during the production process errors may be discovered which could affect the content, and all legal disclaimers that apply to the journal pertain.

Graphical abstract

Optimized design of a Linear Fresnel Reflector for solar process heat applications



General scheme of the optimized design of the linear Fresnel reflector, introducing the three major modifications λ , dz y β .



Graphic summary of the monthly behavior of the collector for the particular modification incorporated.

Download English Version:

<https://daneshyari.com/en/article/11001224>

Download Persian Version:

<https://daneshyari.com/article/11001224>

[Daneshyari.com](https://daneshyari.com)