

## Accepted Manuscript

Title: Evaluation and improvement of particle collection efficiency and pressure drop of cyclones by redistribution of dustbins

Authors: Guo Zhang, Guang Chen, Xiaohong Yan

PII: S0263-8762(18)30467-2  
DOI: <https://doi.org/10.1016/j.cherd.2018.09.021>  
Reference: CHERD 3349

To appear in:

Received date: 23-4-2018  
Revised date: 10-9-2018  
Accepted date: 10-9-2018

Please cite this article as: Zhang, Guo, Chen, Guang, Yan, Xiaohong, Evaluation and improvement of particle collection efficiency and pressure drop of cyclones by redistribution of dustbins. Chemical Engineering Research and Design <https://doi.org/10.1016/j.cherd.2018.09.021>

This is a PDF file of an unedited manuscript that has been accepted for publication. As a service to our customers we are providing this early version of the manuscript. The manuscript will undergo copyediting, typesetting, and review of the resulting proof before it is published in its final form. Please note that during the production process errors may be discovered which could affect the content, and all legal disclaimers that apply to the journal pertain.



# Evaluation and improvement of particle collection efficiency and pressure drop of cyclones by redistribution of dustbins

Guo Zhang, Guang Chen, Xiaohong Yan\*

Department of Chemical Engineering, Xi'an Jiaotong University, Xi'an, Shaanxi, 710049, China

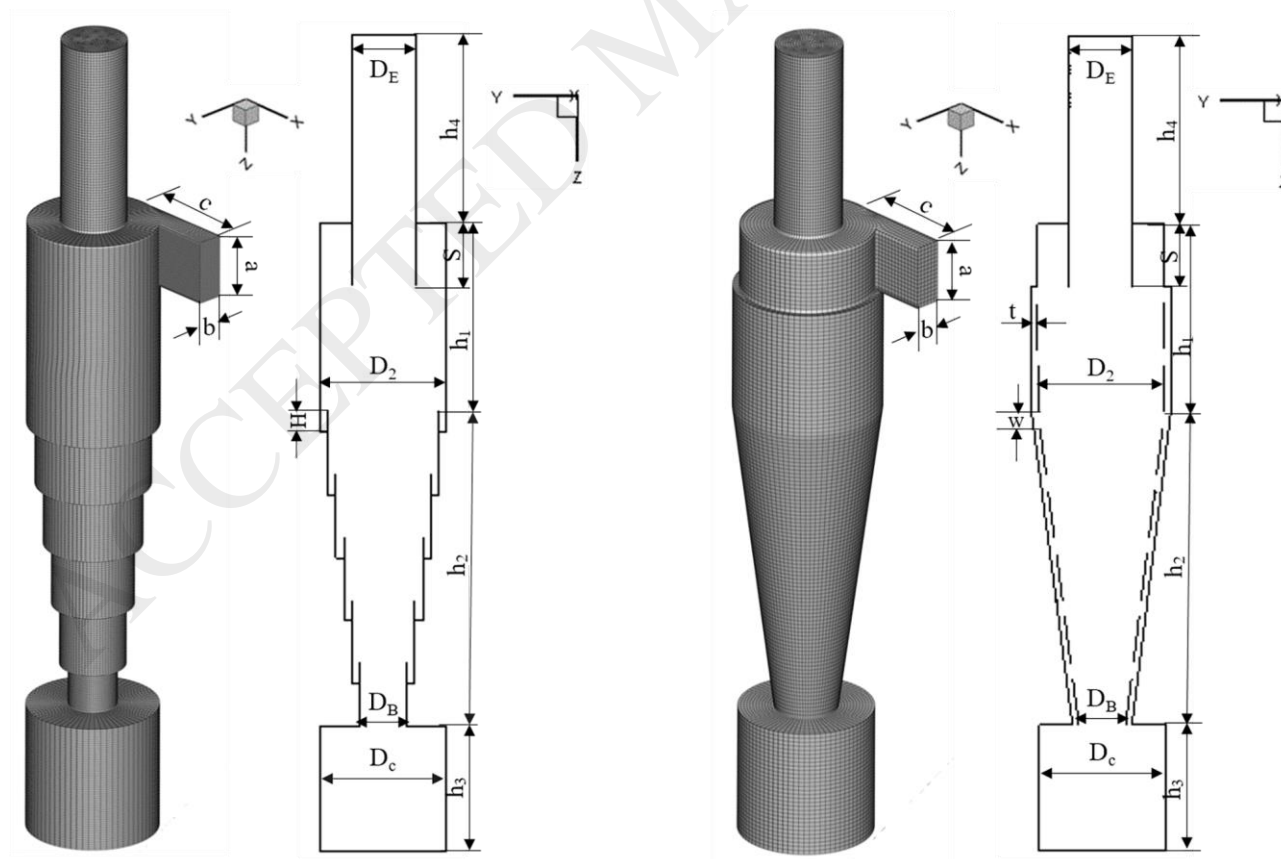
\*: the corresponding author

Address: Department of Chemical Engineering, Xi'an Jiaotong University, Xianning West Road #28, Xi'an, 710049, China.

E-mail: xhyan11@mail.xjtu.edu.cn

Phone/Fax: +86-29-82665836

Graphical abstract



Download English Version:

<https://daneshyari.com/en/article/11023733>

Download Persian Version:

<https://daneshyari.com/article/11023733>

[Daneshyari.com](https://daneshyari.com)