

Accepted Manuscript

Title: Decontamination of radioactive metal surfaces by electrocoagulation

Authors: Alberto A. Pujol Pozo, Erika Bustos Bustos, Fabiola Monroy-Guzmán



PII: S0304-3894(18)30748-9
DOI: <https://doi.org/10.1016/j.jhazmat.2018.08.061>
Reference: HAZMAT 19685

To appear in: *Journal of Hazardous Materials*

Received date: 1-9-2017
Revised date: 1-8-2018
Accepted date: 19-8-2018

Please cite this article as: Pujol Pozo AA, Bustos Bustos E, Monroy-Guzmán F, Decontamination of radioactive metal surfaces by electrocoagulation, *Journal of Hazardous Materials* (2018), <https://doi.org/10.1016/j.jhazmat.2018.08.061>

This is a PDF file of an unedited manuscript that has been accepted for publication. As a service to our customers we are providing this early version of the manuscript. The manuscript will undergo copyediting, typesetting, and review of the resulting proof before it is published in its final form. Please note that during the production process errors may be discovered which could affect the content, and all legal disclaimers that apply to the journal pertain.

Decontamination of radioactive metal surfaces by electrocoagulation

Alberto A. Pujol Pozo^{1,2}, Erika Bustos Bustos², Fabiola Monroy-Guzmán^{1**}

¹Instituto Nacional de Investigaciones Nucleares.

Carretera México-Toluca S/N, La Marquesa, Ocoyoacac, Edo. de México, C. P. 52750,

México

²Centro de Investigación y Desarrollo Tecnológico en Electroquímica, S. C.

Parque Tecnológico s/n Sanfandila, Pedro Escobedo, Querétaro. C. P. 76703, México.

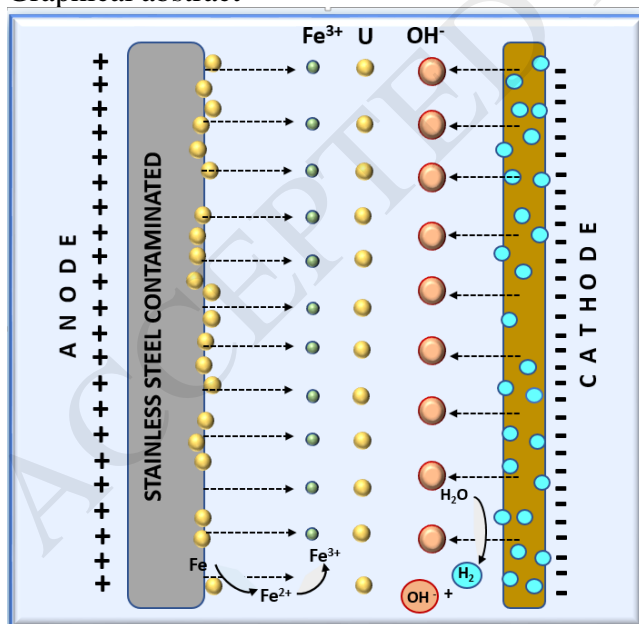
apujol@cideteq.mx ; ebustos@cideteq.mx ; fabiola.monroy@inin.gov.mx

Corresponding author

*Tel: +52 (55) 53.29.72.00 ext 3400

fabiola.monroy@inin.gov.mx (Fabiola Monroy-Guzman)

Graphical abstract



Download English Version:

<https://daneshyari.com/en/article/11031526>

Download Persian Version:

<https://daneshyari.com/article/11031526>

[Daneshyari.com](https://daneshyari.com)