

Accepted Manuscript

Title: Hierarchical Genetic Optimization of a Fuzzy Logic System for Energy Flows Management in Microgrids

Author: Enrico De Santis Antonello Rizzi Alireza Sadeghian



PII: S1568-4946(17)30337-X

DOI: <http://dx.doi.org/doi:10.1016/j.asoc.2017.05.059>

Reference: ASOC 4263

To appear in: *Applied Soft Computing*

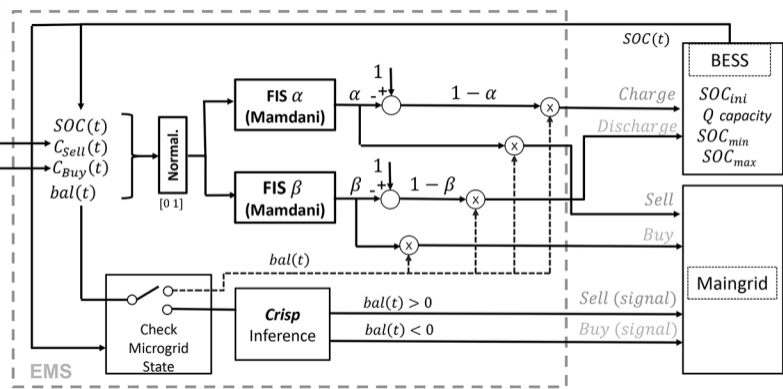
Received date: 20-7-2016

Revised date: 7-5-2017

Accepted date: 31-5-2017

Please cite this article as: Enrico De Santis, Antonello Rizzi, Alireza Sadeghian, Hierarchical Genetic Optimization of a Fuzzy Logic System for Energy Flows Management in Microgrids, *Applied Soft Computing Journal* (2017), <http://dx.doi.org/10.1016/j.asoc.2017.05.059>

This is a PDF file of an unedited manuscript that has been accepted for publication. As a service to our customers we are providing this early version of the manuscript. The manuscript will undergo copyediting, typesetting, and review of the resulting proof before it is published in its final form. Please note that during the production process errors may be discovered which could affect the content, and all legal disclaimers that apply to the journal pertain.



Download English Version:

<https://daneshyari.com/en/article/4962983>

Download Persian Version:

<https://daneshyari.com/article/4962983>

[Daneshyari.com](https://daneshyari.com)