

## Accepted Manuscript

Title: Integrating a vapor recompression heat pump into a lower partitioned reactive dividing-wall column for better energy-saving performance

Authors: Shenyao Feng, Qing Ye, Hui Xia, Rui Li, Xiaomeng Suo

PII: S0263-8762(17)30384-2  
DOI: <http://dx.doi.org/doi:10.1016/j.cherd.2017.07.017>  
Reference: CHERD 2758

To appear in:

Received date: 3-1-2017  
Revised date: 11-7-2017  
Accepted date: 12-7-2017

Please cite this article as: Feng, Shenyao, Ye, Qing, Xia, Hui, Li, Rui, Suo, Xiaomeng, Integrating a vapor recompression heat pump into a lower partitioned reactive dividing-wall column for better energy-saving performance. *Chemical Engineering Research and Design* <http://dx.doi.org/10.1016/j.cherd.2017.07.017>

This is a PDF file of an unedited manuscript that has been accepted for publication. As a service to our customers we are providing this early version of the manuscript. The manuscript will undergo copyediting, typesetting, and review of the resulting proof before it is published in its final form. Please note that during the production process errors may be discovered which could affect the content, and all legal disclaimers that apply to the journal pertain.



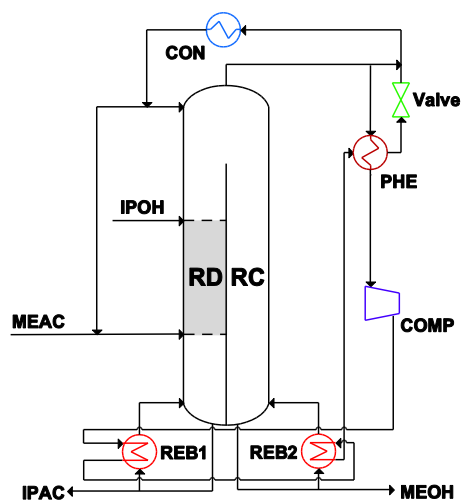
# Integrating a vapor recompression heat pump into a lower partitioned reactive dividing-wall column for better energy-saving performance

Shenyao Feng, Qing Ye\*, Hui Xia, Rui Li, and Xiaomeng Suo

*Jiangsu Key Laboratory of Advanced Catalytic Materials and Technology, School of Petrochemical Engineering, Changzhou University, Changzhou, Jiangsu 213164, China*

\* Corresponding author. Tel.: +86 519 86330355. Fax: +86 519 86330355. E-mail: huagonglou508@126.com.

Graphical abstract



Download English Version:

<https://daneshyari.com/en/article/4987072>

Download Persian Version:

<https://daneshyari.com/article/4987072>

[Daneshyari.com](https://daneshyari.com)