

## Accepted Manuscript

Title: Thermodynamic potential of high temperature chemical looping combustion with molten iron oxide as the oxygen carrier

Authors: Mehdi Jafarian, Maziar Arjomandi, Graham J. Nathan



PII: S0263-8762(17)30090-4  
DOI: <http://dx.doi.org/doi:10.1016/j.cherd.2017.02.005>  
Reference: CHERD 2567

To appear in:

Received date: 7-10-2016  
Revised date: 20-1-2017  
Accepted date: 4-2-2017

Please cite this article as: Jafarian, Mehdi, Arjomandi, Maziar, Nathan, Graham J., Thermodynamic potential of high temperature chemical looping combustion with molten iron oxide as the oxygen carrier. *Chemical Engineering Research and Design* <http://dx.doi.org/10.1016/j.cherd.2017.02.005>

This is a PDF file of an unedited manuscript that has been accepted for publication. As a service to our customers we are providing this early version of the manuscript. The manuscript will undergo copyediting, typesetting, and review of the resulting proof before it is published in its final form. Please note that during the production process errors may be discovered which could affect the content, and all legal disclaimers that apply to the journal pertain.

# Thermodynamic potential of high temperature chemical looping combustion with molten iron oxide as the oxygen carrier

Mehdi Jafarian<sup>1</sup>, Maziar Arjomandi, Graham J. Nathan

Centre for Energy Technology, School of Mechanical Engineering,

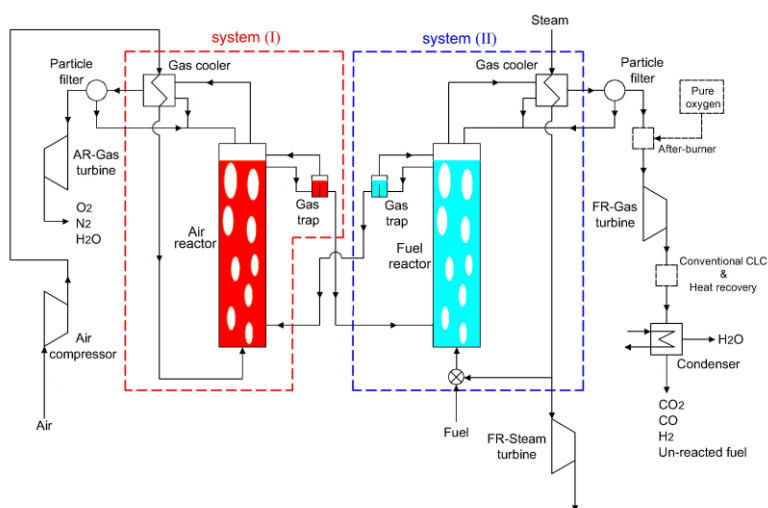
The University of Adelaide, S.A. 5005, Australia

<sup>1</sup>Corresponding author: School of Mechanical Engineering, The University of Adelaide, Adelaide, SA 5005, Australia.

Phone: (+61) 8 8303 5460

Email: [mehdi.jafarian@adelaide.edu.au](mailto:mehdi.jafarian@adelaide.edu.au)

Graphical abstract



Download English Version:

<https://daneshyari.com/en/article/4987136>

Download Persian Version:

<https://daneshyari.com/article/4987136>

[Daneshyari.com](https://daneshyari.com)