

Accepted Manuscript

Title: Design and optimization of heat-integrated configurations with variable feed composition by using a Boltzmann-based estimation of distribution algorithm as optimizer

Authors: Roberto Gutiérrez-Guerra, Rodolfo Murrieta-Dueñas, Jazmin Cortez-González, Juan Gabriel Segovia-Hernández, Salvador Hernández, Arturo Hernández-Aguirre

PII: S0263-8762(17)30314-3
DOI: <http://dx.doi.org/doi:10.1016/j.cherd.2017.05.025>
Reference: CHERD 2697

To appear in:

Received date: 16-10-2016
Revised date: 6-4-2017
Accepted date: 24-5-2017

Please cite this article as: Gutiérrez-Guerra, Roberto, Murrieta-Dueñas, Rodolfo, Cortez-González, Jazmin, Segovia-Hernández, Juan Gabriel, Hernández, Salvador, Hernández-Aguirre, Arturo, Design and optimization of heat-integrated configurations with variable feed composition by using a Boltzmann-based estimation of distribution algorithm as optimizer. *Chemical Engineering Research and Design* <http://dx.doi.org/10.1016/j.cherd.2017.05.025>

This is a PDF file of an unedited manuscript that has been accepted for publication. As a service to our customers we are providing this early version of the manuscript. The manuscript will undergo copyediting, typesetting, and review of the resulting proof before it is published in its final form. Please note that during the production process errors may be discovered which could affect the content, and all legal disclaimers that apply to the journal pertain.



Design and optimization of heat-integrated configurations with variable feed composition by using a Boltzmann-based estimation of distribution algorithm as optimizer

Roberto Gutiérrez-Guerra^{a,b*}, Rodolfo Murrieta-Dueñas^b, Jazmin Cortez-González^b, Juan Gabriel Segovia-Hernández^b, Salvador Hernández^b, Arturo Hernández-Aguirre^c.

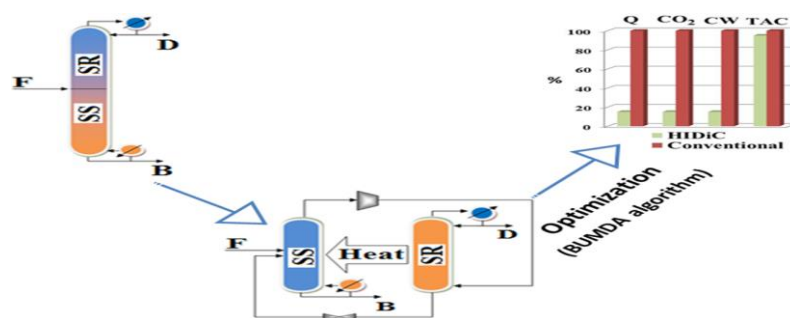
^aUniversidad Tecnológica de León, Campus I, Área de sustentabilidad para el desarrollo, Blvd. Universidad Tecnológica 225, Col. San Carlos, 37670, León, Gto., Mexico.

^bUniversidad de Guanajuato, Campus Guanajuato, Departamento de Ingeniería Química, Noria Alta s/n, 36050, Guanajuato, Gto., Mexico.

^cCentro de Investigación en Matemáticas, A.C., Departamento de Computación, A.P. 402, Guanajuato, Gto., CP 3600, México.

* Corresponding author: rogutierrez@utleon.edu.mx

Graphical abstract



Download English Version:

<https://daneshyari.com/en/article/4987199>

Download Persian Version:

<https://daneshyari.com/article/4987199>

[Daneshyari.com](https://daneshyari.com)