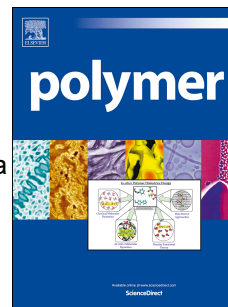


# Accepted Manuscript

Metallic-like thermal conductivity in a lightweight insulator: Solid-state processed Ultra High Molecular Weight Polyethylene tapes and films

Sara Ronca, Tamito Igarashi, Giuseppe Forte, Sanjay Rastogi



PII: S0032-3861(17)30686-9

DOI: [10.1016/j.polymer.2017.07.027](https://doi.org/10.1016/j.polymer.2017.07.027)

Reference: JPOL 19839

To appear in: *Polymer*

Received Date: 30 May 2017

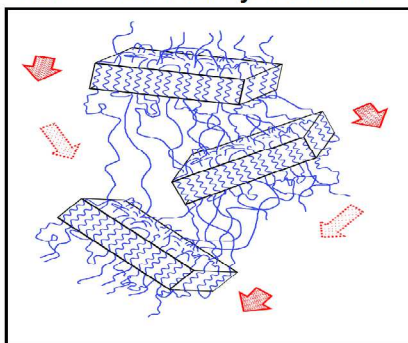
Revised Date: 29 June 2017

Accepted Date: 9 July 2017

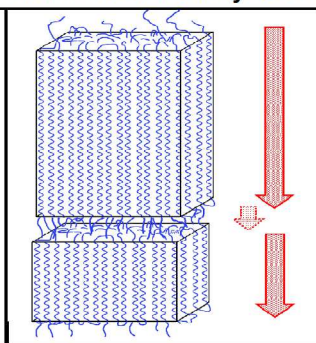
Please cite this article as: Ronca S, Igarashi T, Forte G, Rastogi S, Metallic-like thermal conductivity in a lightweight insulator: Solid-state processed Ultra High Molecular Weight Polyethylene tapes and films, *Polymer* (2017), doi: [10.1016/j.polymer.2017.07.027](https://doi.org/10.1016/j.polymer.2017.07.027).

This is a PDF file of an unedited manuscript that has been accepted for publication. As a service to our customers we are providing this early version of the manuscript. The manuscript will undergo copyediting, typesetting, and review of the resulting proof before it is published in its final form. Please note that during the production process errors may be discovered which could affect the content, and all legal disclaimers that apply to the journal pertain.

Non-oriented UHMWPE  
Thermal conductivity: 0.3 W/mK



Ultra-stretched UHMWPE  
Thermal conductivity: 65 W/mK



ACCEPTED MANUSCRIPT

Download English Version:

<https://daneshyari.com/en/article/5177704>

Download Persian Version:

<https://daneshyari.com/article/5177704>

[Daneshyari.com](https://daneshyari.com)