

Accepted Manuscript

Factors controlling the structure of syndiotactic polystyrene upon the guest exchange and guest extraction processes

P. Shaiju , E. Bhoje Gowd



PII: S0032-3861(14)01052-0

DOI: [10.1016/j.polymer.2014.11.026](https://doi.org/10.1016/j.polymer.2014.11.026)

Reference: JPOL 17422

To appear in: *Polymer*

Received Date: 8 October 2014

Revised Date: 3 November 2014

Accepted Date: 7 November 2014

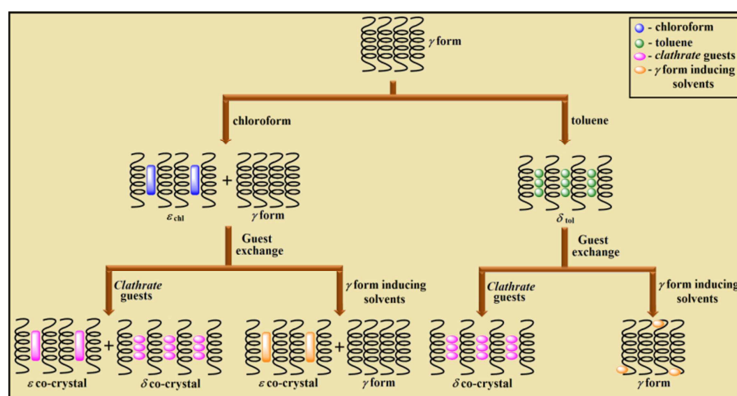
Please cite this article as: Shaiju P, Bhoje Gowd E, Factors controlling the structure of syndiotactic polystyrene upon the guest exchange and guest extraction processes, *Polymer* (2014), doi: 10.1016/j.polymer.2014.11.026.

This is a PDF file of an unedited manuscript that has been accepted for publication. As a service to our customers we are providing this early version of the manuscript. The manuscript will undergo copyediting, typesetting, and review of the resulting proof before it is published in its final form. Please note that during the production process errors may be discovered which could affect the content, and all legal disclaimers that apply to the journal pertain.

Graphical Abstract (For table of contents only)

Factors Controlling the Structure of Syndiotactic Polystyrene upon the Guest Exchange and Guest Extraction Processes

P. Shaiju and E. Bhoje Gowd*



Download English Version:

<https://daneshyari.com/en/article/5180642>

Download Persian Version:

<https://daneshyari.com/article/5180642>

[Daneshyari.com](https://daneshyari.com)