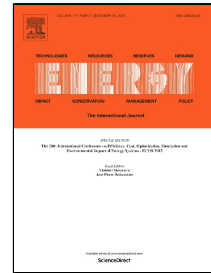


Accepted Manuscript

Techno-Economic Analysis of a Concentrating Solar Collector with Built-in Shell and Tube Latent Heat Thermal Energy Storage

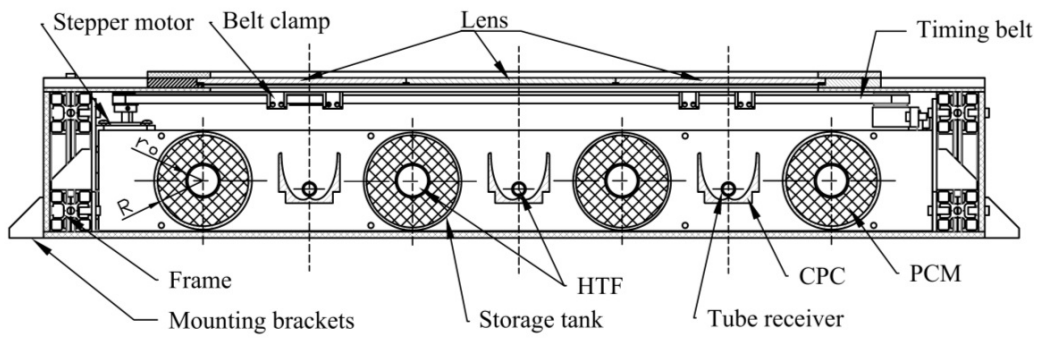
Qiyuan Li, S. Saeed Mostafavi Tehrani, Robert A. Taylor



PII: S0360-5442(17)30023-3
DOI: 10.1016/j.energy.2017.01.023
Reference: EGY 10158
To appear in: *Energy*
Received Date: 07 September 2016
Revised Date: 20 December 2016
Accepted Date: 04 January 2017

Please cite this article as: Qiyuan Li, S. Saeed Mostafavi Tehrani, Robert A. Taylor, Techno-Economic Analysis of a Concentrating Solar Collector with Built-in Shell and Tube Latent Heat Thermal Energy Storage, *Energy* (2017), doi: 10.1016/j.energy.2017.01.023

This is a PDF file of an unedited manuscript that has been accepted for publication. As a service to our customers we are providing this early version of the manuscript. The manuscript will undergo copyediting, typesetting, and review of the resulting proof before it is published in its final form. Please note that during the production process errors may be discovered which could affect the content, and all legal disclaimers that apply to the journal pertain.



Download English Version:

<https://daneshyari.com/en/article/5476320>

Download Persian Version:

<https://daneshyari.com/article/5476320>

[Daneshyari.com](https://daneshyari.com)