

Accepted Manuscript

Transpressional deformation, strain partitioning and fold superimposition in the southern Chinese Altai, Central Asian Orogenic Belt

Pengfei Li, Min Sun, Gideon Rosenbaum, Keda Cai, Ming Chen, Yulin He



PII: S0191-8141(16)30039-6

DOI: [10.1016/j.jsg.2016.04.006](https://doi.org/10.1016/j.jsg.2016.04.006)

Reference: SG 3333

To appear in: *Journal of Structural Geology*

Received Date: 9 December 2015

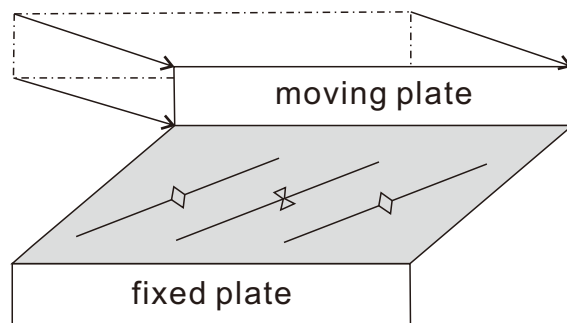
Revised Date: 13 March 2016

Accepted Date: 5 April 2016

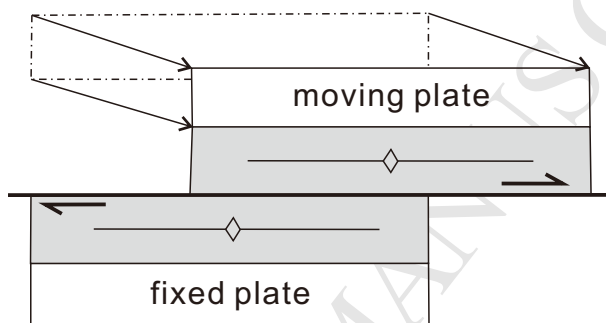
Please cite this article as: Li, P., Sun, M., Rosenbaum, G., Cai, K., Chen, M., He, Y., Transpressional deformation, strain partitioning and fold superimposition in the southern Chinese Altai, Central Asian Orogenic Belt, *Journal of Structural Geology* (2016), doi: 10.1016/j.jsg.2016.04.006.

This is a PDF file of an unedited manuscript that has been accepted for publication. As a service to our customers we are providing this early version of the manuscript. The manuscript will undergo copyediting, typesetting, and review of the resulting proof before it is published in its final form. Please note that during the production process errors may be discovered which could affect the content, and all legal disclaimers that apply to the journal pertain.

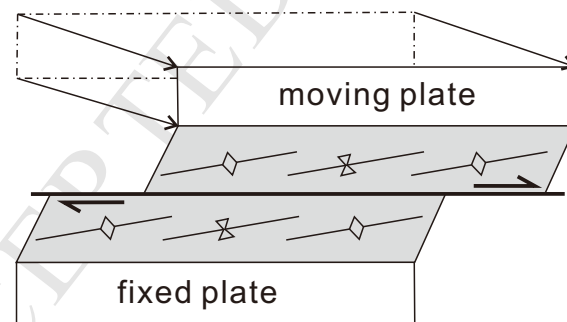
Non-partitioning general shear strain



High degree of strain partitioning



Low degree of strain partitioning



Download English Version:

<https://daneshyari.com/en/article/6444681>

Download Persian Version:

<https://daneshyari.com/article/6444681>

[Daneshyari.com](https://daneshyari.com)