

Accepted Manuscript

Electrochemical stability of hexagonal tungsten carbide in the potential window of fuel cells and water electrolyzers investigated in a half-cell configuration

Daniel Göhl, Andrea M. Mingers, Simon Geiger, Maximilian Schalenbach, Serhiy Cherevko, Johannes Knossalla, Daniel Jalalpoor, Ferdi Schüth, Karl J.J. Mayrhofer, Marc Ledendecker

PII: S0013-4686(18)30434-1

DOI: [10.1016/j.electacta.2018.02.129](https://doi.org/10.1016/j.electacta.2018.02.129)

Reference: EA 31324

To appear in: *Electrochimica Acta*

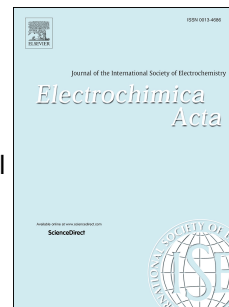
Received Date: 28 September 2017

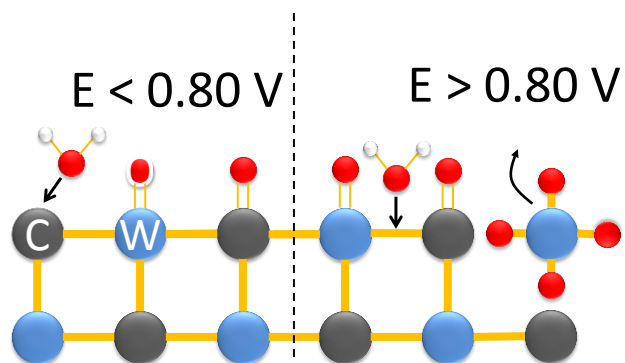
Revised Date: 12 January 2018

Accepted Date: 24 February 2018

Please cite this article as: D. Göhl, A.M. Mingers, S. Geiger, M. Schalenbach, S. Cherevko, J. Knossalla, D. Jalalpoor, F. Schüth, K.J.J. Mayrhofer, M. Ledendecker, Electrochemical stability of hexagonal tungsten carbide in the potential window of fuel cells and water electrolyzers investigated in a half-cell configuration, *Electrochimica Acta* (2018), doi: 10.1016/j.electacta.2018.02.129.

This is a PDF file of an unedited manuscript that has been accepted for publication. As a service to our customers we are providing this early version of the manuscript. The manuscript will undergo copyediting, typesetting, and review of the resulting proof before it is published in its final form. Please note that during the production process errors may be discovered which could affect the content, and all legal disclaimers that apply to the journal pertain.





Download English Version:

<https://daneshyari.com/en/article/6603384>

Download Persian Version:

<https://daneshyari.com/article/6603384>

[Daneshyari.com](https://daneshyari.com)