

# Accepted Manuscript

An organic-inorganic hybrid photoelectrochemical storage cell for improved solar energy storage

Zi Wei, Husain Almakrami, Guanzhou Lin, Ertan Agar, Fuqiang Liu



PII: S0013-4686(17)32449-0

DOI: [10.1016/j.electacta.2017.11.087](https://doi.org/10.1016/j.electacta.2017.11.087)

Reference: EA 30677

To appear in: *Electrochimica Acta*

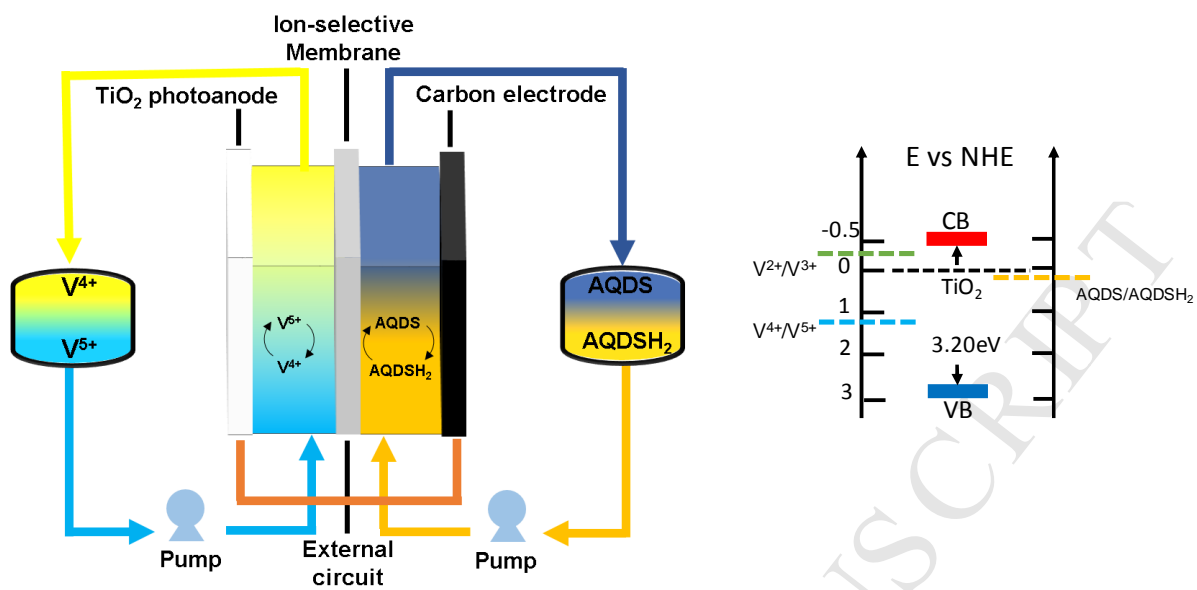
Received Date: 20 September 2017

Revised Date: 7 November 2017

Accepted Date: 12 November 2017

Please cite this article as: Z. Wei, H. Almakrami, G. Lin, E. Agar, F. Liu, An organic-inorganic hybrid photoelectrochemical storage cell for improved solar energy storage, *Electrochimica Acta* (2017), doi: 10.1016/j.electacta.2017.11.087.

This is a PDF file of an unedited manuscript that has been accepted for publication. As a service to our customers we are providing this early version of the manuscript. The manuscript will undergo copyediting, typesetting, and review of the resulting proof before it is published in its final form. Please note that during the production process errors may be discovered which could affect the content, and all legal disclaimers that apply to the journal pertain.



Download English Version:

<https://daneshyari.com/en/article/6604498>

Download Persian Version:

<https://daneshyari.com/article/6604498>

[Daneshyari.com](https://daneshyari.com)