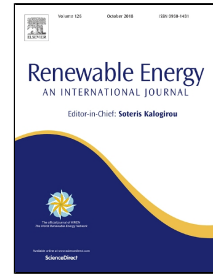


Accepted Manuscript

Comparison of the biogas upgrading methods as a transportation fuel

Sayed Amir Hosseinipour, Mehdi Mehrpooya

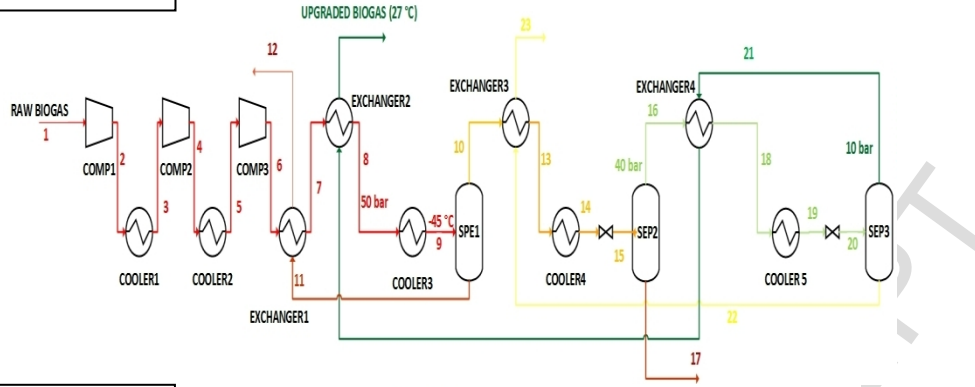


PII: S0960-1481(18)30741-9
DOI: 10.1016/j.renene.2018.06.089
Reference: RENE 10245
To appear in: *Renewable Energy*
Received Date: 27 November 2017
Accepted Date: 21 June 2018

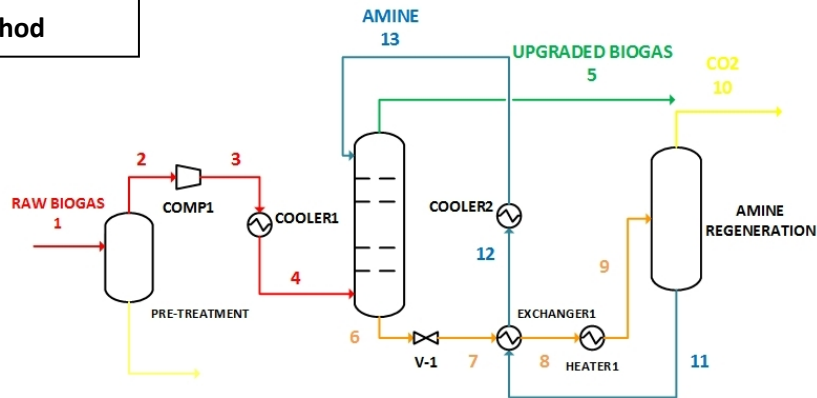
Please cite this article as: Sayed Amir Hosseinipour, Mehdi Mehrpooya, Comparison of the biogas upgrading methods as a transportation fuel, *Renewable Energy* (2018), doi: 10.1016/j.renene.2018.06.089

This is a PDF file of an unedited manuscript that has been accepted for publication. As a service to our customers we are providing this early version of the manuscript. The manuscript will undergo copyediting, typesetting, and review of the resulting proof before it is published in its final form. Please note that during the production process errors may be discovered which could affect the content, and all legal disclaimers that apply to the journal pertain.

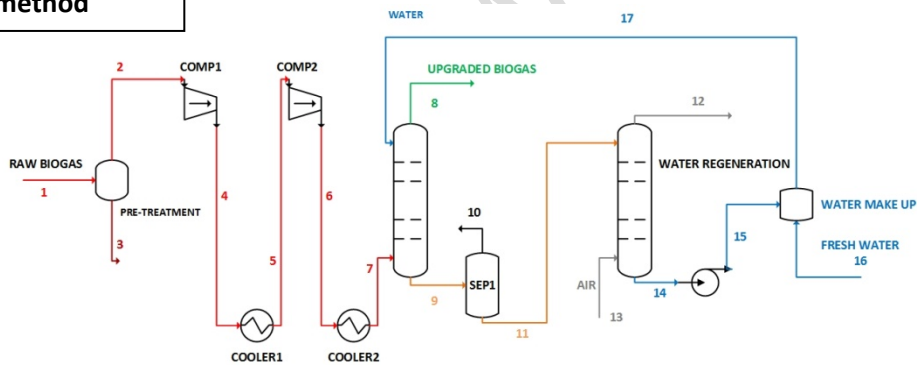
Cryogenic separation method



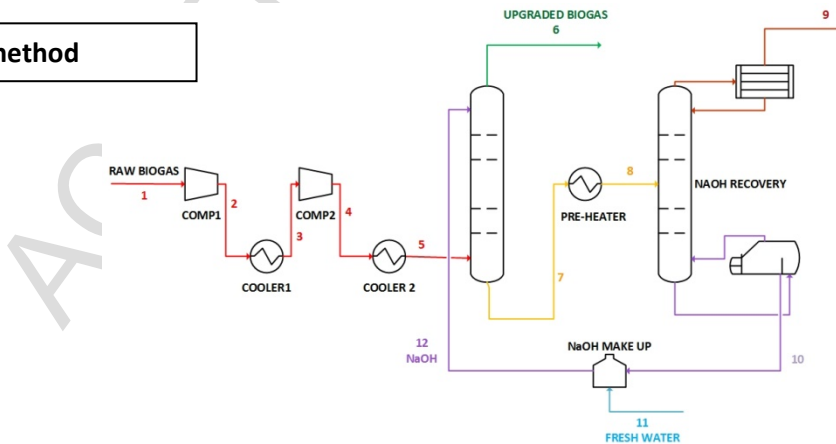
Amine scrubbing method



Water scrubbing method



Caustic wash method



Download English Version:

<https://daneshyari.com/en/article/6763801>

Download Persian Version:

<https://daneshyari.com/article/6763801>

[Daneshyari.com](https://daneshyari.com)