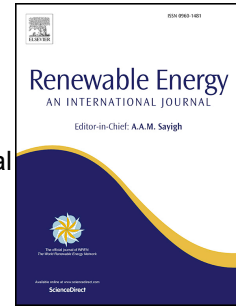


Accepted Manuscript

Eigen-analysis of hydraulic-mechanical-electrical coupling mechanism for small signal stability of hydropower plant

Weijia Yang, Per Norrlund, Chi Yung Chung, Jiandong Yang, Urban Lundin



PII: S0960-1481(17)30757-7

DOI: [10.1016/j.renene.2017.08.005](https://doi.org/10.1016/j.renene.2017.08.005)

Reference: RENE 9102

To appear in: *Renewable Energy*

Received Date: 14 January 2017

Revised Date: 17 July 2017

Accepted Date: 3 August 2017

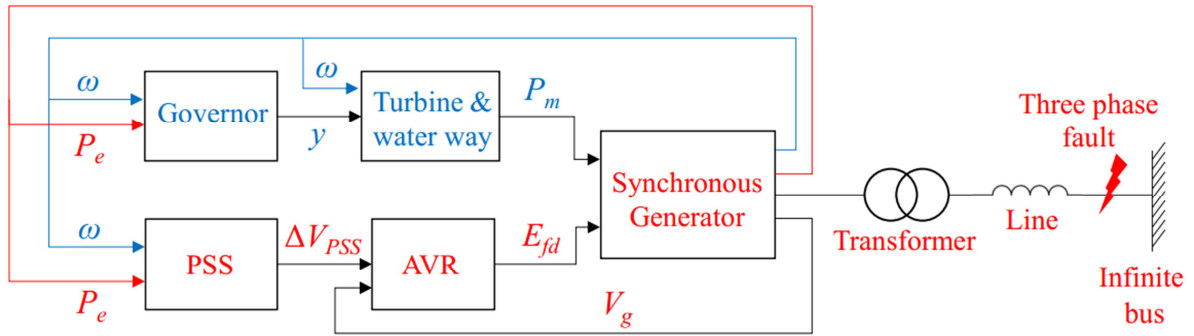
Please cite this article as: Yang W, Norrlund P, Chung CY, Yang J, Lundin U, Eigen-analysis of hydraulic-mechanical-electrical coupling mechanism for small signal stability of hydropower plant, *Renewable Energy* (2017), doi: 10.1016/j.renene.2017.08.005.

This is a PDF file of an unedited manuscript that has been accepted for publication. As a service to our customers we are providing this early version of the manuscript. The manuscript will undergo copyediting, typesetting, and review of the resulting proof before it is published in its final form. Please note that during the production process errors may be discovered which could affect the content, and all legal disclaimers that apply to the journal pertain.

Small signal stability
of hydropower plants

Hydraulic-mechanical
subsystem

Electrical
subsystem



Download English Version:

<https://daneshyari.com/en/article/6765321>

Download Persian Version:

<https://daneshyari.com/article/6765321>

[Daneshyari.com](https://daneshyari.com)