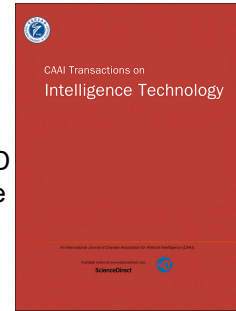


Accepted Manuscript

A hybrid stochastic fractal search and pattern search technique based cascade PI-PD controller for automatic generation control of multi-source power systems in presence of plug in electric vehicles

Sasmita Padhy, Sidhartha Panda



PII: S2468-2322(16)30077-4

DOI: [10.1016/j.trit.2017.01.002](https://doi.org/10.1016/j.trit.2017.01.002)

Reference: TRIT 37

To appear in: *CAAI Transactions on Intelligence Technology*

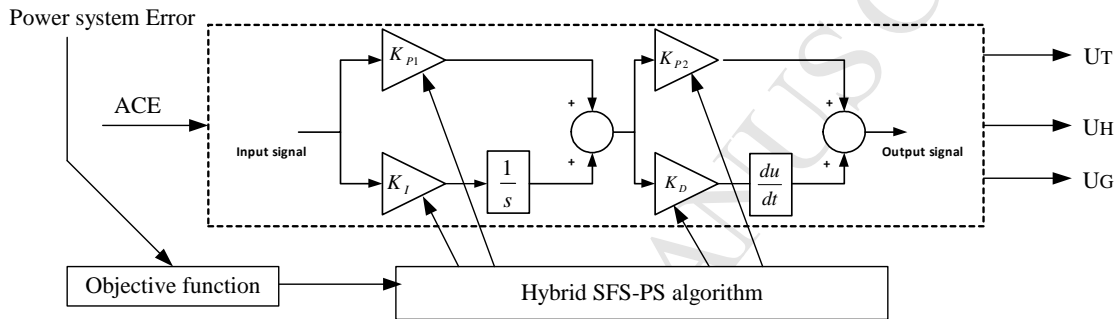
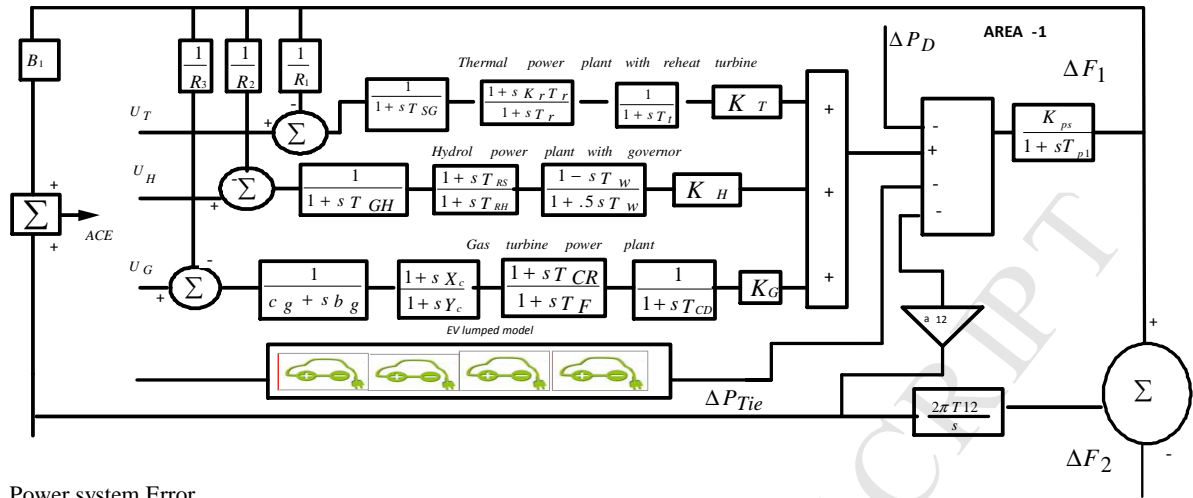
Received Date: 4 November 2016

Revised Date: 11 January 2017

Accepted Date: 25 January 2017

Please cite this article as: S. Padhy, S. Panda, A hybrid stochastic fractal search and pattern search technique based cascade PI-PD controller for automatic generation control of multi-source power systems in presence of plug in electric vehicles, *CAAI Transactions on Intelligence Technology* (2017), doi: 10.1016/j.trit.2017.01.002.

This is a PDF file of an unedited manuscript that has been accepted for publication. As a service to our customers we are providing this early version of the manuscript. The manuscript will undergo copyediting, typesetting, and review of the resulting proof before it is published in its final form. Please note that during the production process errors may be discovered which could affect the content, and all legal disclaimers that apply to the journal pertain.



Download English Version:

<https://daneshyari.com/en/article/6853580>

Download Persian Version:

<https://daneshyari.com/article/6853580>

[Daneshyari.com](https://daneshyari.com)