

## Accepted Manuscript

Title: Determination of the gas hydrate limits to isenthalpic Joule-Thomson expansions

Authors: Hamidreza Yarveicy, Mohammad M. Ghiasi, Amir H. Mohammadi

PII: S0263-8762(17)30720-7  
DOI: <https://doi.org/10.1016/j.cherd.2017.12.046>  
Reference: CHERD 2971

To appear in:

Received date: 4-8-2017  
Revised date: 15-12-2017  
Accepted date: 27-12-2017

Please cite this article as: Yarveicy, Hamidreza, Ghiasi, Mohammad M., Mohammadi, Amir H., Determination of the gas hydrate limits to isenthalpic Joule-Thomson expansions. Chemical Engineering Research and Design <https://doi.org/10.1016/j.cherd.2017.12.046>

This is a PDF file of an unedited manuscript that has been accepted for publication. As a service to our customers we are providing this early version of the manuscript. The manuscript will undergo copyediting, typesetting, and review of the resulting proof before it is published in its final form. Please note that during the production process errors may be discovered which could affect the content, and all legal disclaimers that apply to the journal pertain.



# Determination of the gas hydrate limits to isenthalpic Joule-Thomson expansions

Hamidreza Yarveicy <sup>a</sup>, Mohammad M. Ghiasi <sup>b\*1</sup>, Amir H. Mohammadi <sup>c,d \*</sup>

<sup>a</sup> Department of Chemical Engineering, Faculty of Engineering, Tarbiat Modares University, Tehran, Iran

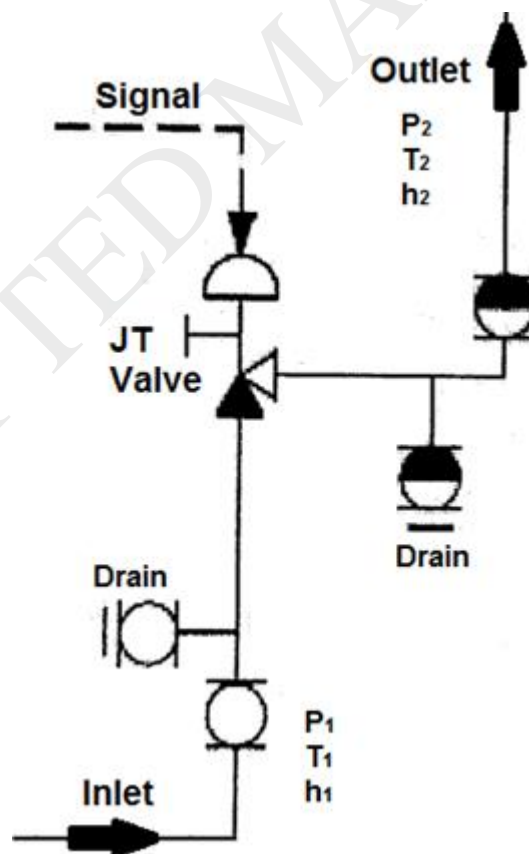
<sup>b</sup> National Iranian Gas Company (NIGC), South Pars Gas Complex (SPGC), Asaluyeh, Iran

<sup>c</sup> Discipline of Chemical Engineering, School of Engineering, University of KwaZulu-Natal, Howard College Campus, King George V Avenue, Durban 4041, South Africa

<sup>d</sup> Institut de Recherche en Génie Chimique et Pétrolier (IRGCP), Paris Cedex, France

\* Corresponding authors: Email: [mm.ghiasi@gmail.com](mailto:mm.ghiasi@gmail.com) & [a.h.m@irgcp.fr](mailto:a.h.m@irgcp.fr) and [amir\\_h\\_mohammadi@yahoo.com](mailto:amir_h_mohammadi@yahoo.com)

Graphical abstract



Download English Version:

<https://daneshyari.com/en/article/7005970>

Download Persian Version:

<https://daneshyari.com/article/7005970>

[Daneshyari.com](https://daneshyari.com)