

Accepted Manuscript

Title: Continuous-flow synthesis of azo dyes in a microreactor system

Authors: Fajun Wang, Jinpei Huang, Jianhong Xu

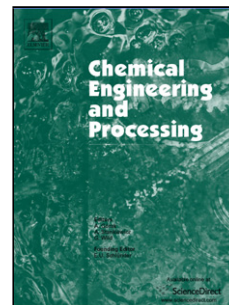
PII: S0255-2701(17)31213-8
DOI: <https://doi.org/10.1016/j.cep.2018.03.014>
Reference: CEP 7224

To appear in: *Chemical Engineering and Processing*

Received date: 29-11-2017
Revised date: 23-2-2018
Accepted date: 15-3-2018

Please cite this article as: Wang F, Huang J, Xu J, Continuous-flow synthesis of azo dyes in a microreactor system, *Chemical Engineering and Processing* (2018), <https://doi.org/10.1016/j.cep.2018.03.014>

This is a PDF file of an unedited manuscript that has been accepted for publication. As a service to our customers we are providing this early version of the manuscript. The manuscript will undergo copyediting, typesetting, and review of the resulting proof before it is published in its final form. Please note that during the production process errors may be discovered which could affect the content, and all legal disclaimers that apply to the journal pertain.



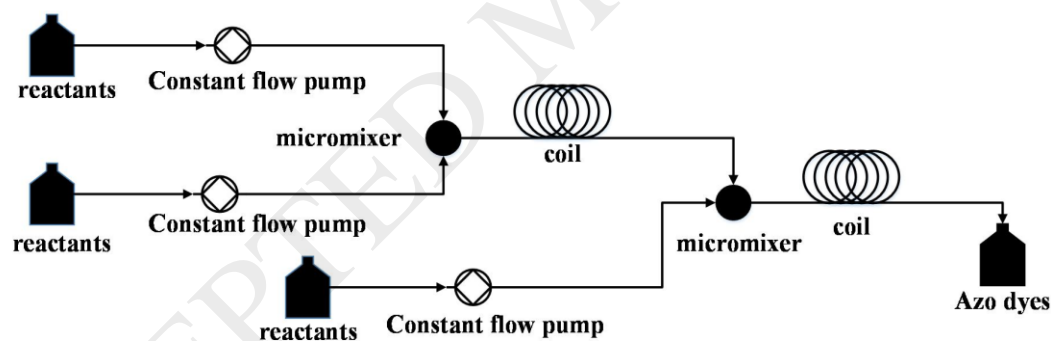
Continuous-flow synthesis of azo dyes in a microreactor system

Fajun Wang, Jinpei Huang, Jianhong Xu*

*The State Key Lab of Chemical Engineering, Department of Chemical Engineering,
Tsinghua University, Beijing, 100084, China*

* Corresponding author: xujianhong@tsinghua.edu.cn

Graphical abstract



Highlights

- 1.Process intensification was realized in a microreactor system.
- 2. The reaction conditions were optimized for the synthesis of azo dyes.
- 3.A high yield of azo dyes can be obtained in a microreactor system .
- 4.The method using a microreactor system follows the principles of green chemistry .

Download English Version:

<https://daneshyari.com/en/article/7088696>

Download Persian Version:

<https://daneshyari.com/article/7088696>

[Daneshyari.com](https://daneshyari.com)