

Accepted Manuscript

Title: Separation of benzene and cyclohexane by extractive distillation intensified with ionic liquid

Authors: Wenxue Li, Bo Xu, Zhigang Lei, Chengna Dai

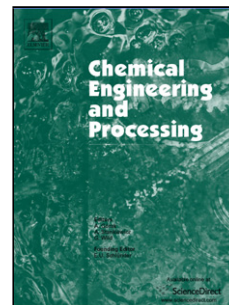
PII: S0255-2701(17)31298-9
DOI: <https://doi.org/10.1016/j.cep.2018.02.016>
Reference: CEP 7198

To appear in: *Chemical Engineering and Processing*

Received date: 20-12-2017
Revised date: 12-2-2018
Accepted date: 15-2-2018

Please cite this article as: Wenxue Li, Bo Xu, Zhigang Lei, Chengna Dai, Separation of benzene and cyclohexane by extractive distillation intensified with ionic liquid, *Chemical Engineering and Processing* <https://doi.org/10.1016/j.cep.2018.02.016>

This is a PDF file of an unedited manuscript that has been accepted for publication. As a service to our customers we are providing this early version of the manuscript. The manuscript will undergo copyediting, typesetting, and review of the resulting proof before it is published in its final form. Please note that during the production process errors may be discovered which could affect the content, and all legal disclaimers that apply to the journal pertain.



Separation of benzene and cyclohexane by extractive distillation intensified with ionic liquid

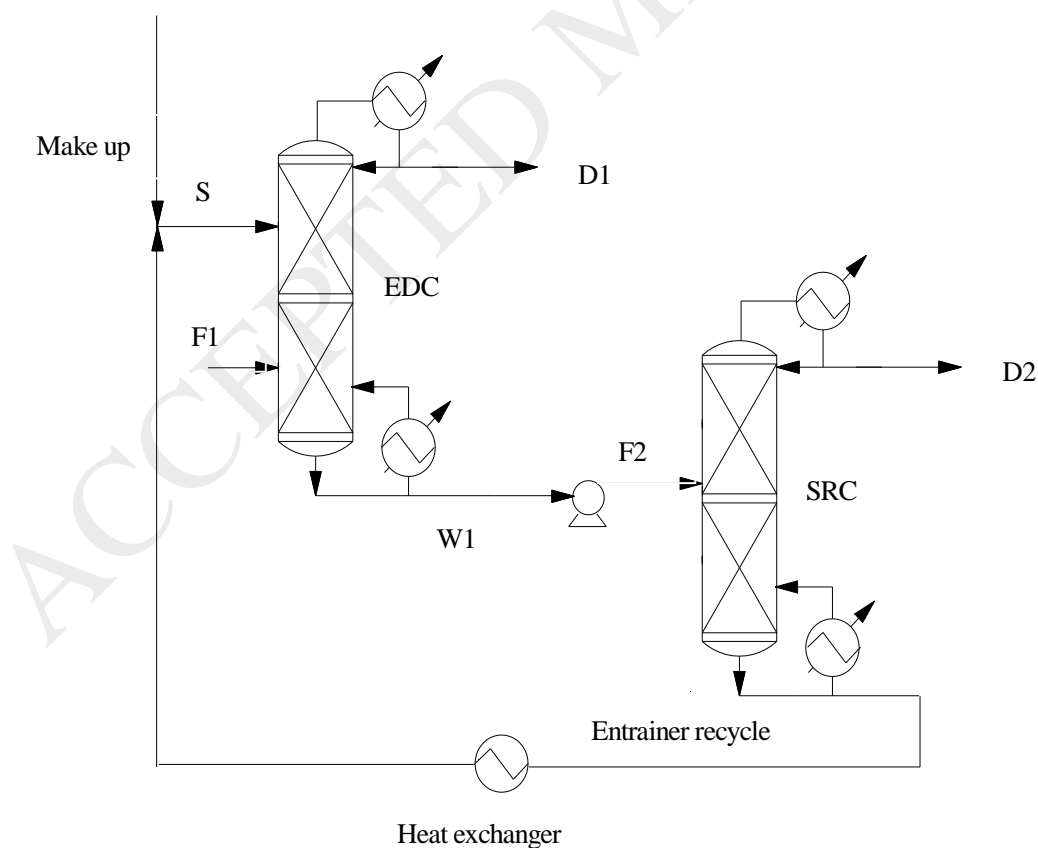
Wenxue Li, Bo Xu, Zhigang Lei, Chengna Dai*

State Key Laboratory of Chemical Resource Engineering, Beijing Key Laboratory of Energy Environmental Catalysis, Beijing University of Chemical Technology, Box 266, Beijing, 100029, China

* Corresponding author. Tel: +86 10 64433695. *E-mail address*: daicn@mail.buct.edu.cn (C. Dai).

Graphical abstract

The separation of benzene and cyclohexane by extractive distillation was intensified with ionic liquid (IL) in saving energy and entrainer consumption.



Download English Version:

<https://daneshyari.com/en/article/7088797>

Download Persian Version:

<https://daneshyari.com/article/7088797>

[Daneshyari.com](https://daneshyari.com)