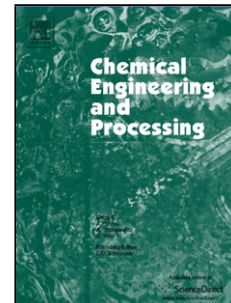


## Accepted Manuscript

Title: Distillation without hot utilities; development of novel distillation configurations for energy and costs saving

Authors: Abolghasem Kazemi, Arjomand Mehrabani-Zeinabad, Masoud Beheshti



PII: S0255-2701(17)30518-4  
DOI: <https://doi.org/10.1016/j.cep.2017.10.027>  
Reference: CEP 7111

To appear in: *Chemical Engineering and Processing*

Received date: 24-5-2017  
Revised date: 5-10-2017  
Accepted date: 31-10-2017

Please cite this article as: Abolghasem Kazemi, Arjomand Mehrabani-Zeinabad, Masoud Beheshti, Distillation without hot utilities; development of novel distillation configurations for energy and costs saving, *Chemical Engineering and Processing* <https://doi.org/10.1016/j.cep.2017.10.027>

This is a PDF file of an unedited manuscript that has been accepted for publication. As a service to our customers we are providing this early version of the manuscript. The manuscript will undergo copyediting, typesetting, and review of the resulting proof before it is published in its final form. Please note that during the production process errors may be discovered which could affect the content, and all legal disclaimers that apply to the journal pertain.

# Distillation without hot utilities; development of novel distillation configurations for energy and costs saving

Abolghasem Kazemi<sup>1</sup>, Arjomand Mehrabani-Zeinabad<sup>1,\*</sup>, Masoud Beheshti<sup>2,3</sup>

<sup>1</sup>Department of Chemical Engineering, Isfahan University of Technology, Isfahan, Iran,

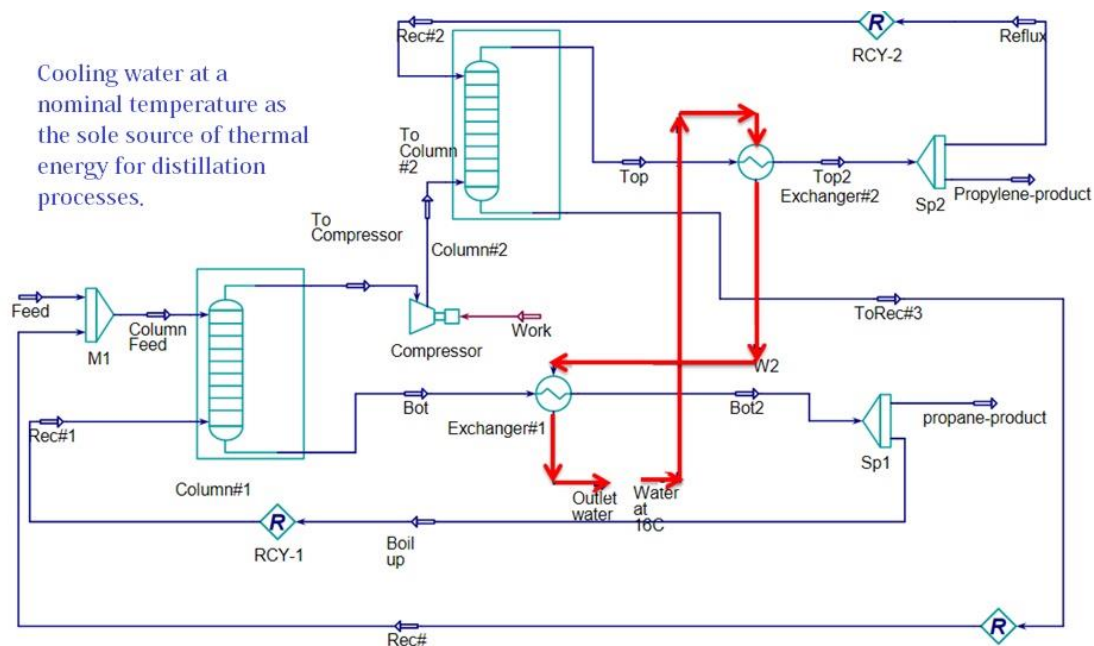
8415683111

<sup>2</sup>Department of Chemical Engineering, University of Isfahan, Isfahan, Iran, 8174673441

<sup>3</sup> Process Engineering Institute, University of Isfahan, Isfahan, Iran, 8174673441

Corresponding Author Email and Tel: arjomand@cc.iut.ac.ir , +983133915609

## Graphical Abstract



Download English Version:

<https://daneshyari.com/en/article/7089229>

Download Persian Version:

<https://daneshyari.com/article/7089229>

[Daneshyari.com](https://daneshyari.com)