

Accepted Manuscript

Kinetic thermometric methods in Analytical Chemistry

Piyawan Phansi, Kaewta Danchana, Víctor Cerdà

PII: S0165-9936(17)30211-X

DOI: [10.1016/j.trac.2017.09.019](https://doi.org/10.1016/j.trac.2017.09.019)

Reference: TRAC 15011

To appear in: *Trends in Analytical Chemistry*

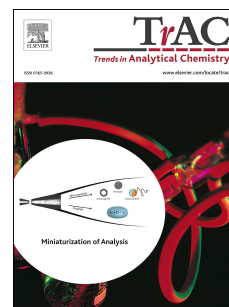
Received Date: 11 June 2017

Revised Date: 12 September 2017

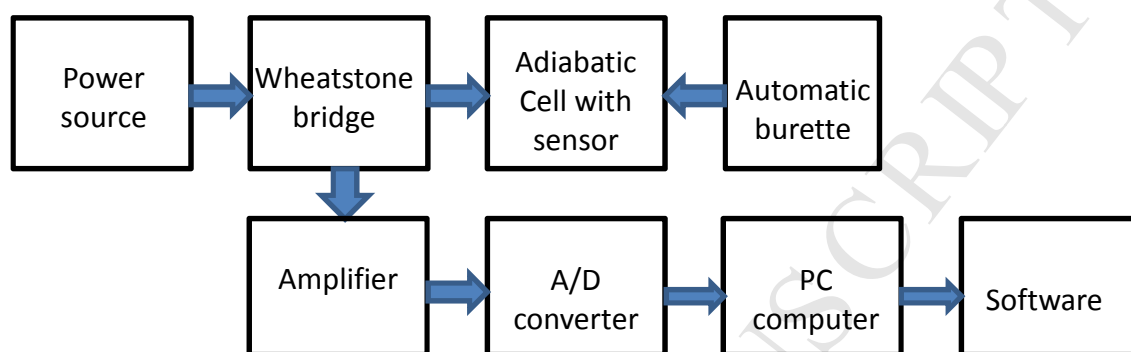
Accepted Date: 12 September 2017

Please cite this article as: P. Phansi, K. Danchana, V. Cerdà, Kinetic thermometric methods in Analytical Chemistry, *Trends in Analytical Chemistry* (2017), doi: 10.1016/j.trac.2017.09.019.

This is a PDF file of an unedited manuscript that has been accepted for publication. As a service to our customers we are providing this early version of the manuscript. The manuscript will undergo copyediting, typesetting, and review of the resulting proof before it is published in its final form. Please note that during the production process errors may be discovered which could affect the content, and all legal disclaimers that apply to the journal pertain.



Graphical abstract



Download English Version:

<https://daneshyari.com/en/article/7688099>

Download Persian Version:

<https://daneshyari.com/article/7688099>

[Daneshyari.com](https://daneshyari.com)