

Accepted Manuscript

Full structure and insight into the gene cluster of the O-specific polysaccharide of *Yersinia intermedia* H9-36/83 (O:17)

Olga V. Sizova, Alexander S. Shashkov, Anna N. Kondakova, Yuriy A. Knirel, Rima Z. Shaikhutdinova, Sergei A. Ivanov, Angelina A. Kislichkina, Lidia A. Kadnikova, Aleksandr G. Bogun, Svetlana V. Dentovskaya

PII: S0008-6215(17)30797-8

DOI: [10.1016/j.carres.2018.02.014](https://doi.org/10.1016/j.carres.2018.02.014)

Reference: CAR 7530

To appear in: *Carbohydrate Research*

Received Date: 31 October 2017

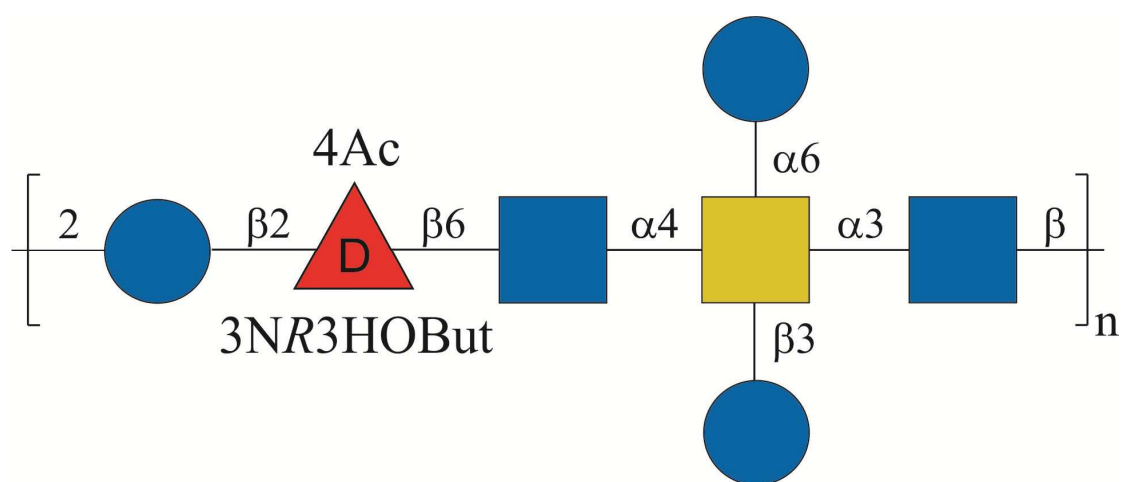
Revised Date: 14 February 2018

Accepted Date: 24 February 2018

Please cite this article as: O.V. Sizova, A.S. Shashkov, A.N. Kondakova, Y.A. Knirel, R.Z. Shaikhutdinova, S.A. Ivanov, A.A. Kislichkina, L.A. Kadnikova, A.G. Bogun, S.V. Dentovskaya, Full structure and insight into the gene cluster of the O-specific polysaccharide of *Yersinia intermedia* H9-36/83 (O:17), *Carbohydrate Research* (2018), doi: 10.1016/j.carres.2018.02.014.

This is a PDF file of an unedited manuscript that has been accepted for publication. As a service to our customers we are providing this early version of the manuscript. The manuscript will undergo copyediting, typesetting, and review of the resulting proof before it is published in its final form. Please note that during the production process errors may be discovered which could affect the content, and all legal disclaimers that apply to the journal pertain.





ACCEPTED MANUSCRIPT

Download English Version:

<https://daneshyari.com/en/article/7793710>

Download Persian Version:

<https://daneshyari.com/article/7793710>

[Daneshyari.com](https://daneshyari.com)