

# Accepted Manuscript

Nontrivial temperature behavior of the carrier concentration in graphene on ferroelectric substrate with domain walls

Anatolii I. Kurchak, Anna N. Morozovska, Eugene A. Eliseev, Sergei V. Kalinin, Maksym V. Strikha



PII: S1359-6454(18)30313-6

DOI: [10.1016/j.actamat.2018.04.036](https://doi.org/10.1016/j.actamat.2018.04.036)

Reference: AM 14524

To appear in: *Acta Materialia*

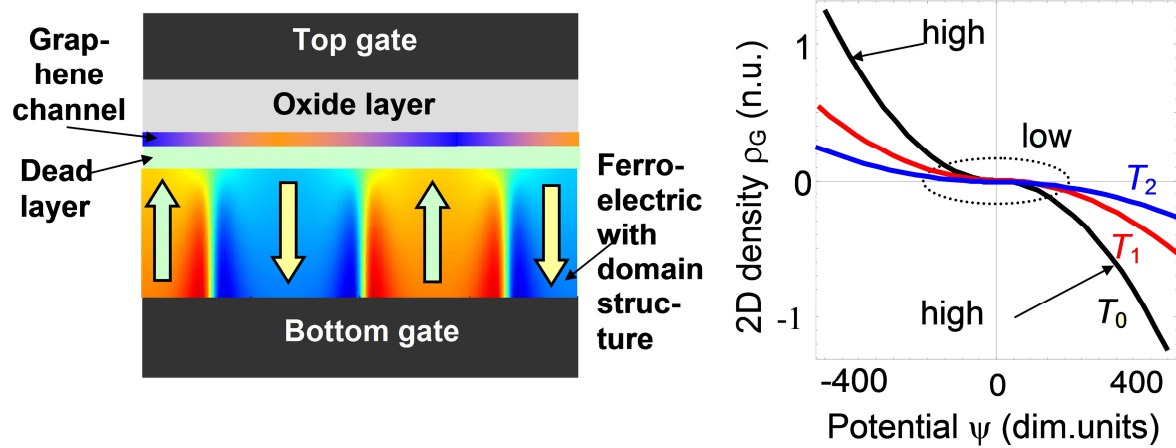
Received Date: 19 March 2018

Revised Date: 14 April 2018

Accepted Date: 16 April 2018

Please cite this article as: A.I. Kurchak, A.N. Morozovska, E.A. Eliseev, S.V. Kalinin, M.V. Strikha, Nontrivial temperature behavior of the carrier concentration in graphene on ferroelectric substrate with domain walls, *Acta Materialia* (2018), doi: 10.1016/j.actamat.2018.04.036.

This is a PDF file of an unedited manuscript that has been accepted for publication. As a service to our customers we are providing this early version of the manuscript. The manuscript will undergo copyediting, typesetting, and review of the resulting proof before it is published in its final form. Please note that during the production process errors may be discovered which could affect the content, and all legal disclaimers that apply to the journal pertain.



Download English Version:

<https://daneshyari.com/en/article/7875501>

Download Persian Version:

<https://daneshyari.com/article/7875501>

[Daneshyari.com](https://daneshyari.com)