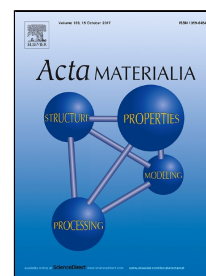


Accepted Manuscript

Defect structure of oxygen-vacancy clusters in O¹⁸ and self ion implanted Fe(100) crystal by ion channeling and *ab initio* study

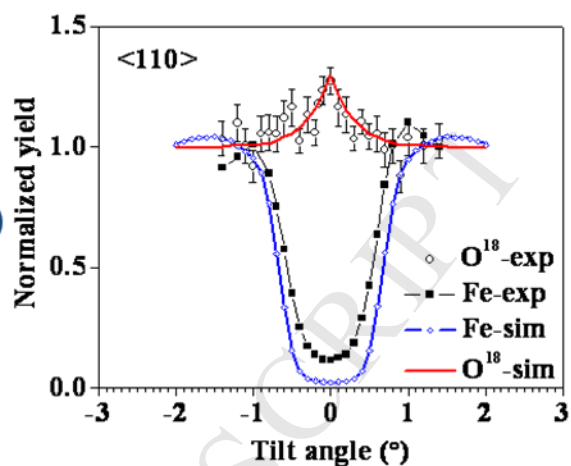
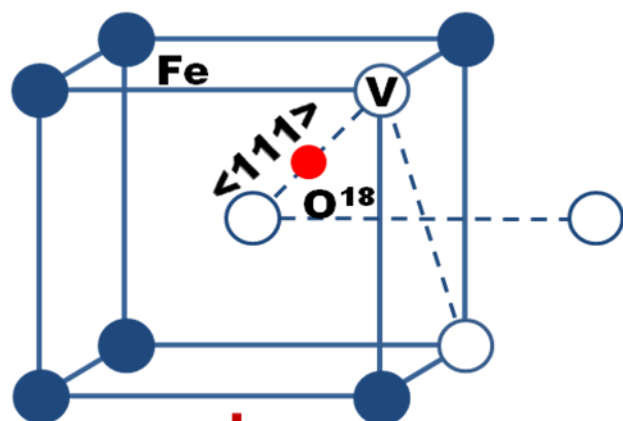
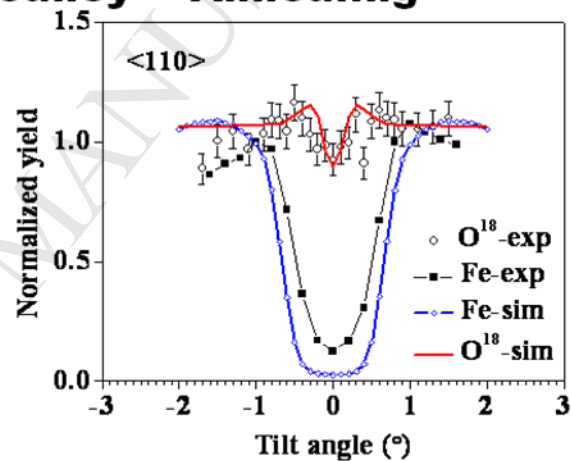
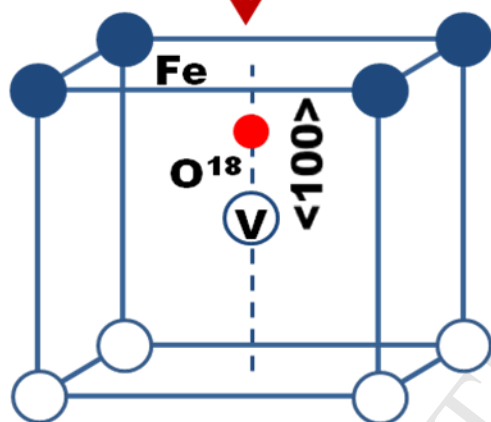


M. Vairavel, K. Saravanan, G. Jaiganesh, C. Lakshmanan, R. Rajaraman, B. Sundaravel, B.K. Panigrahi, G. Amarendra

PII: S1359-6454(17)30871-6
DOI: 10.1016/j.actamat.2017.10.022
Reference: AM 14121
To appear in: *Acta Materialia*
Received Date: 21 July 2017
Revised Date: 04 October 2017
Accepted Date: 08 October 2017

Please cite this article as: M. Vairavel, K. Saravanan, G. Jaiganesh, C. Lakshmanan, R. Rajaraman, B. Sundaravel, B.K. Panigrahi, G. Amarendra, Defect structure of oxygen-vacancy clusters in O¹⁸ and self ion implanted Fe(100) crystal by ion channeling and *ab initio* study, *Acta Materialia* (2017), doi: 10.1016/j.actamat.2017.10.022

This is a PDF file of an unedited manuscript that has been accepted for publication. As a service to our customers we are providing this early version of the manuscript. The manuscript will undergo copyediting, typesetting, and review of the resulting proof before it is published in its final form. Please note that during the production process errors may be discovered which could affect the content, and all legal disclaimers that apply to the journal pertain.

O¹⁸ + Vacancy + Annealing**+ Additional vacancy + Annealing**

Oxygen trapping at vacancy dislocation loop structures
in bcc Fe(100)

Download English Version:

<https://daneshyari.com/en/article/7877062>

Download Persian Version:

<https://daneshyari.com/article/7877062>

[Daneshyari.com](https://daneshyari.com)