

Accepted Manuscript

AC impedance spectroscopy on Al/p-Si/ZnTPyP/Au heterojunction for hybrid solar cell applications

M.M. Shehata, T.G. Abdel-Malik, K. Abdelhady



PII: S0925-8388(17)33843-4

DOI: [10.1016/j.jallcom.2017.11.097](https://doi.org/10.1016/j.jallcom.2017.11.097)

Reference: JALCOM 43790

To appear in: *Journal of Alloys and Compounds*

Received Date: 6 September 2017

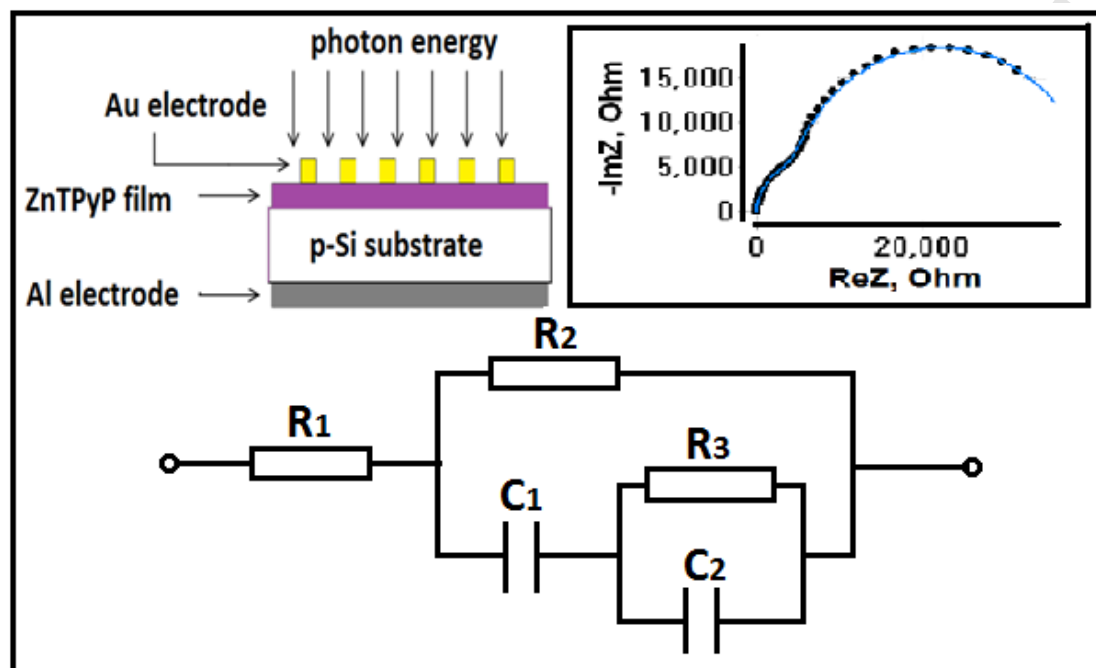
Revised Date: 6 November 2017

Accepted Date: 7 November 2017

Please cite this article as: M.M. Shehata, T.G. Abdel-Malik, K. Abdelhady, AC impedance spectroscopy on Al/p-Si/ZnTPyP/Au heterojunction for hybrid solar cell applications, *Journal of Alloys and Compounds* (2017), doi: 10.1016/j.jallcom.2017.11.097.

This is a PDF file of an unedited manuscript that has been accepted for publication. As a service to our customers we are providing this early version of the manuscript. The manuscript will undergo copyediting, typesetting, and review of the resulting proof before it is published in its final form. Please note that during the production process errors may be discovered which could affect the content, and all legal disclaimers that apply to the journal pertain.

Graphical abstract:



Download English Version:

<https://daneshyari.com/en/article/7994443>

Download Persian Version:

<https://daneshyari.com/article/7994443>

[Daneshyari.com](https://daneshyari.com)