

Accepted Manuscript

Case study: Fixture water use and drinking water quality in a new residential green building

Maryam Salehi, Mohammad Abouali, Mian Wang, Zhi Zhou, Amir Pouyan Nejadhashemi, Jade Mitchell, Stephen Caskey, Andrew J. Whelton



PII: S0045-6535(17)31847-7

DOI: [10.1016/j.chemosphere.2017.11.070](https://doi.org/10.1016/j.chemosphere.2017.11.070)

Reference: CHEM 20267

To appear in: *ECSN*

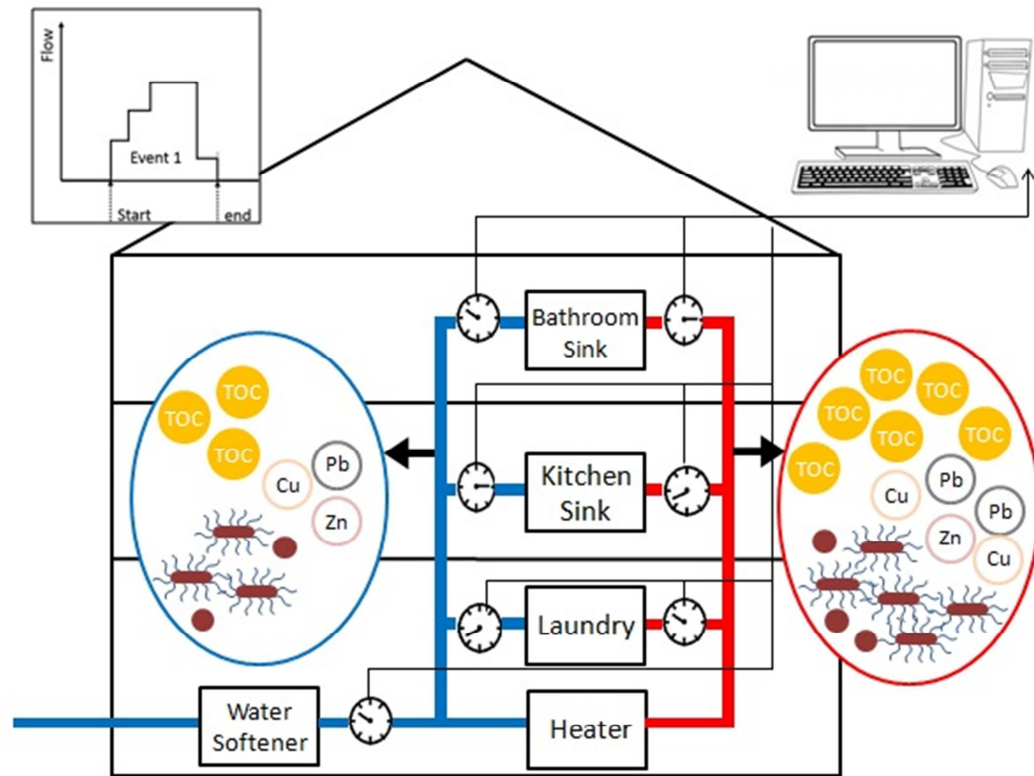
Received Date: 27 July 2017

Revised Date: 26 October 2017

Accepted Date: 15 November 2017

Please cite this article as: Salehi, M., Abouali, M., Wang, M., Zhou, Z., Nejadhashemi, A.P., Mitchell, J., Caskey, S., Whelton, A.J., Case study: Fixture water use and drinking water quality in a new residential green building, *Chemosphere* (2017), doi: 10.1016/j.chemosphere.2017.11.070.

This is a PDF file of an unedited manuscript that has been accepted for publication. As a service to our customers we are providing this early version of the manuscript. The manuscript will undergo copyediting, typesetting, and review of the resulting proof before it is published in its final form. Please note that during the production process errors may be discovered which could affect the content, and all legal disclaimers that apply to the journal pertain.



ACCEPTED MANUSSENT

Download English Version:

<https://daneshyari.com/en/article/8852297>

Download Persian Version:

<https://daneshyari.com/article/8852297>

[Daneshyari.com](https://daneshyari.com)